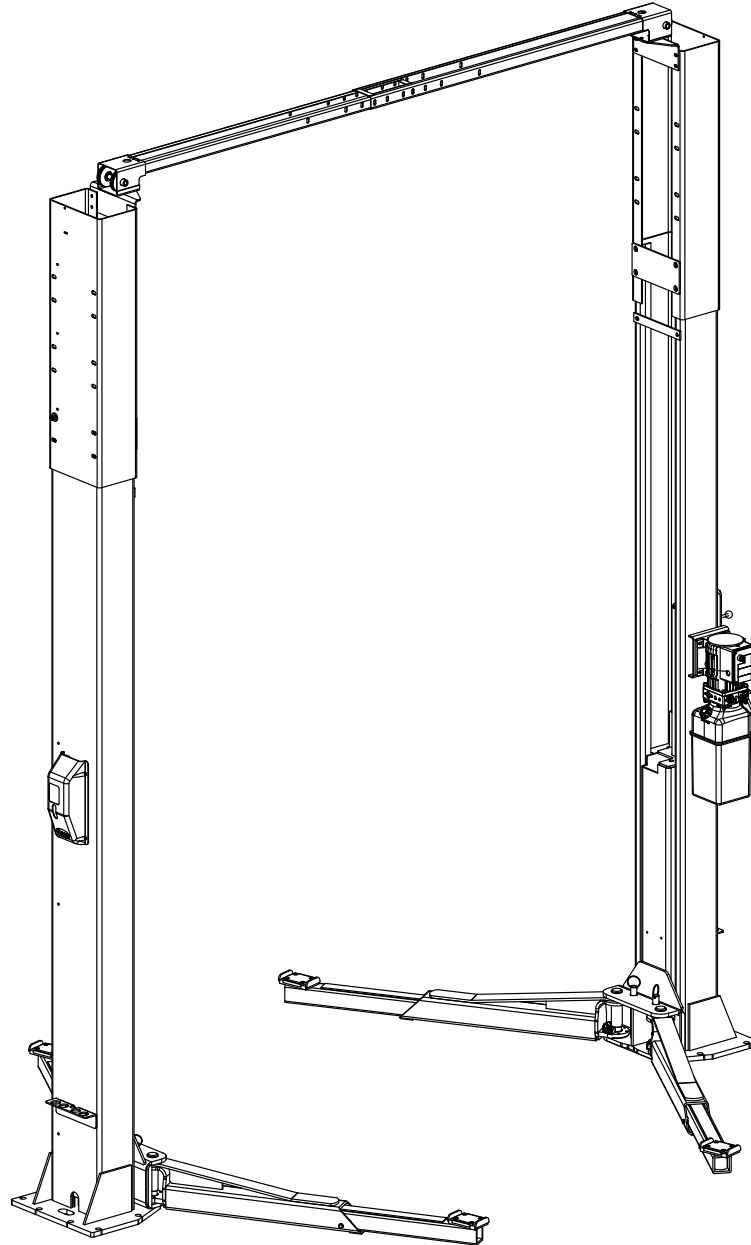


# Installation Instructions

## 2-Post Capacity 12,000 lbs.



### OPERATING CONDITIONS

Lift is not intended for outdoor use  
and has an operating ambient temperature  
range of  
41°-104°F (5°-40°C)

**▲ IMPORTANT** Reference ANSI/ALI ALIS,  
Safety Requirements for  
Installation and Service of Automotive Lifts  
before installing lift.

**LP60036**

TWO STAGE ARMS

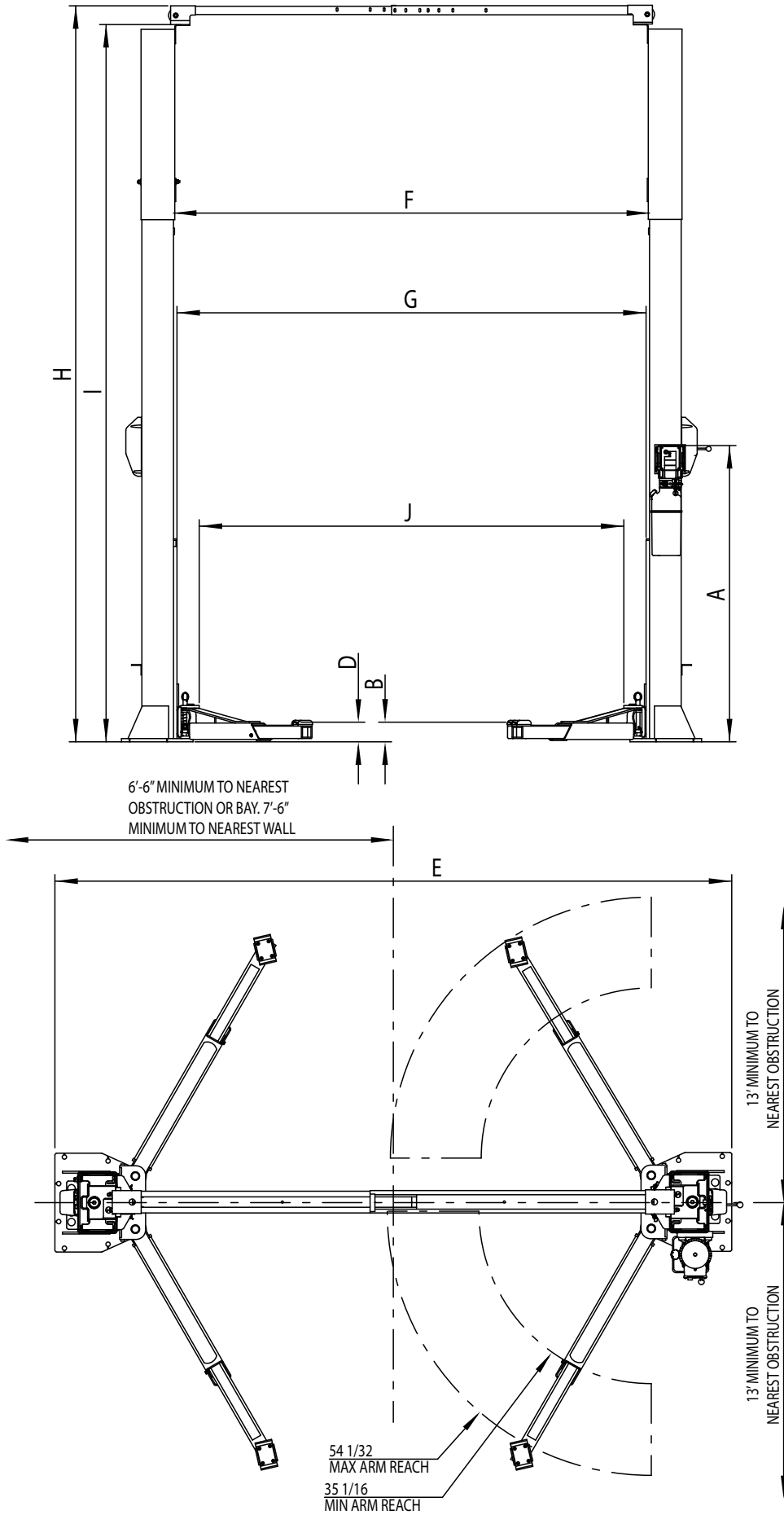


Fig. 1a

Fig. 1b

A	POWER UNIT HEIGHT	71 1/2
B	LIFTING HEIGHT(71" STROKE CYLINDER)	72 1/2
D	MIN. ADAPTER HEIGHT	4 3/4
	1 3/4" SHORT EXTENSION	FOUR INCLUDED AS STANDARD EQUIPMENT
	3 1/2" MIDDLE EXTENSION	FOUR INCLUDED AS STANDARD EQUIPMENT
	5" TALL EXTENSION	FOUR INCLUDED AS STANDARD EQUIPMENT
E	WIDTH OVERALL	140" / 146"
F	INSIDE COLUMNS	114 7/8 / 120 7/8"
G	WIDTH BETWEEN CARRIAGES	113 7/16" / 119 7/16"
H	HEIGHT OVERALL (STANDARD)	166
	EH1 EXTENDED HEIGHT	178
	LH1 LOWER HEIGHT	154
	DP DIRECT POST (NO EXTENSION)	143
I	FLOOR TO OVERHEAD BAR	173 3/8
J	DRIVE THRU CLEARANCE	102 3/4" / 108 3/4"
K	CYLINDER HEIGHT (FULL RISE 68")	12' 1 3/4

LIFT CAPACITY	12,000 LBS
LIFTING SPEED (RISE TIME)	60 SECONDS
MOTOR RATING OPTIONS	1 PHASE 208/230V 12-16 AMPS
WEIGHT	2230 LBS
MECHANICAL SAFETY RELEASE	MANUAL BOTH COLUMN
SWING ARM LOCKS	AUTOMATIC LOCKING UPON ASCENT
CYLINDERS	TWO, ONE PER COLUMN
CARRIAGE BEARINGS	EIGHT PER CARRIAGE UHMW
MIN. BAY SIDE	

NOTES:

- 1.) ALL DIMENSIONS ARE NOMINAL WITHOUT LEVELING SHIMS,AND ARE SUBJECT TO MANUFACTURING & INSTALLATION TOLERANCES
- 2.) STANDARD HEIGHT LIFT SHOWN
- 3.) ANCHORING REQUIREMENTS SEE SHEET 2
- 4.) ANCHORING SYSTEM TESTED TO ANSI/ALI ALCTV:2009
- 5.) ALTERNATE SEISMIC ANCHORING AVAILABLE PER IBC
- 6.) OVERALL HEIGHTS SHOWN UNDER DIMENSION "H" ARE MAXIMUM VALUES. THEY CAN BE ADJUSTED TO BE 4" OR 8 1/2" SHORTER AS NEEDED

THREE STAGE ARMS

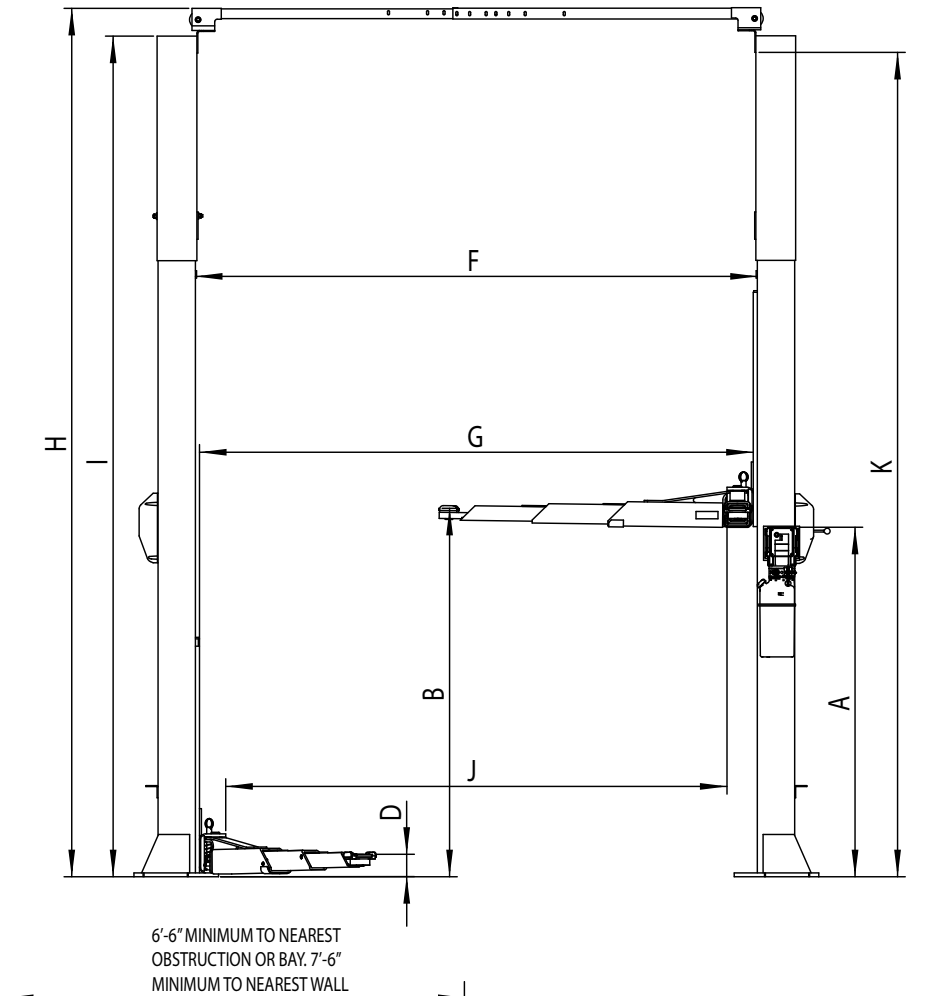


Fig. 1c

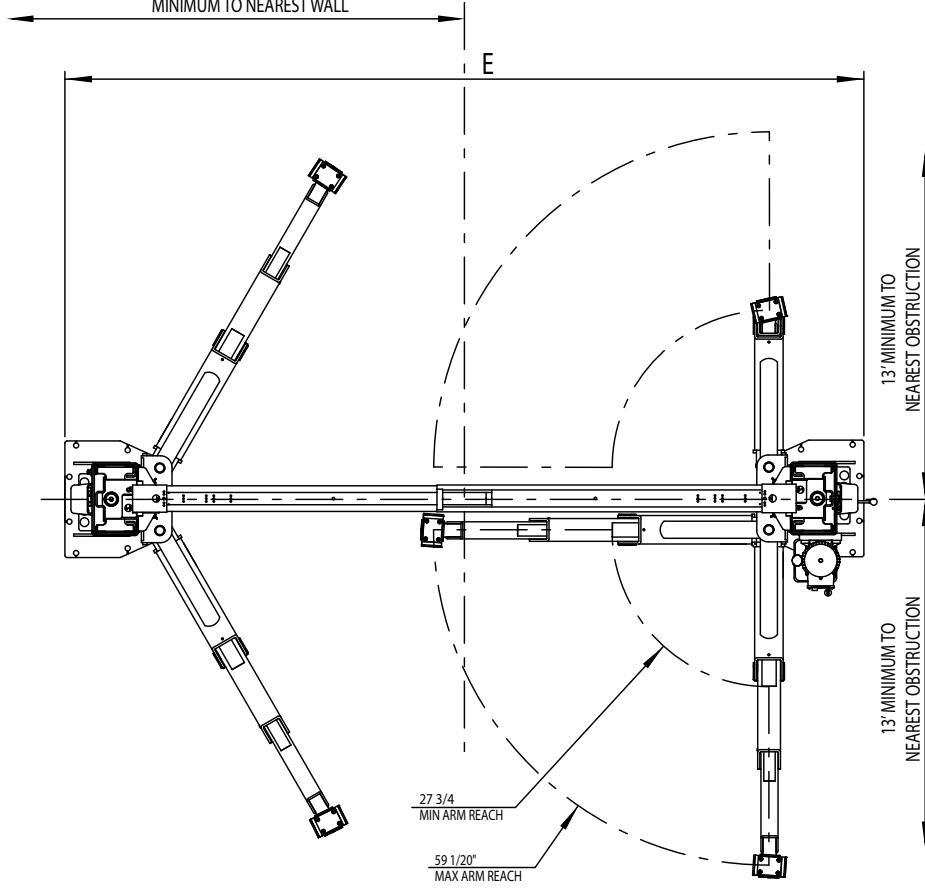


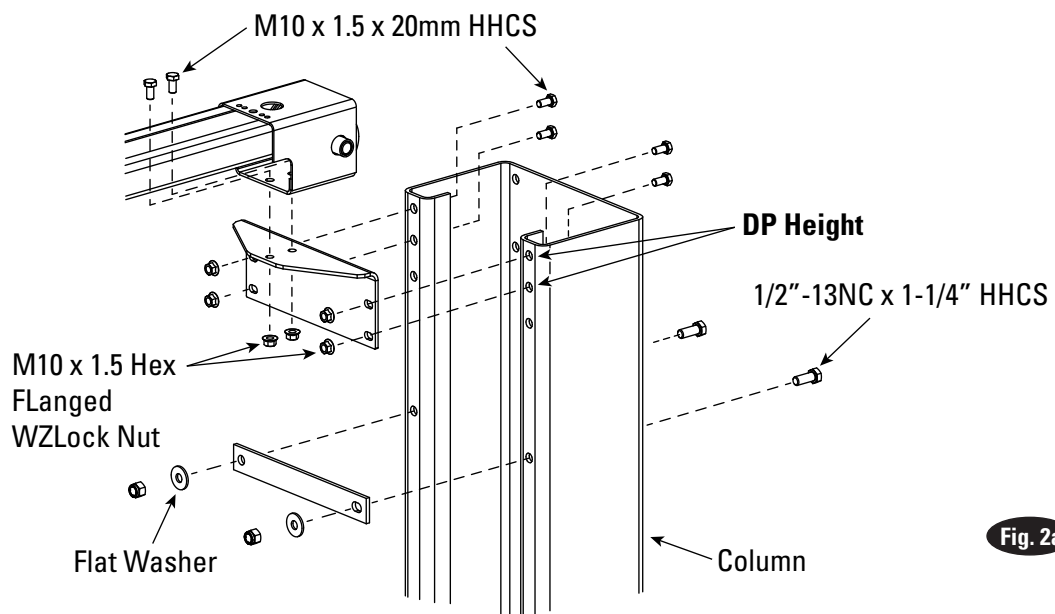
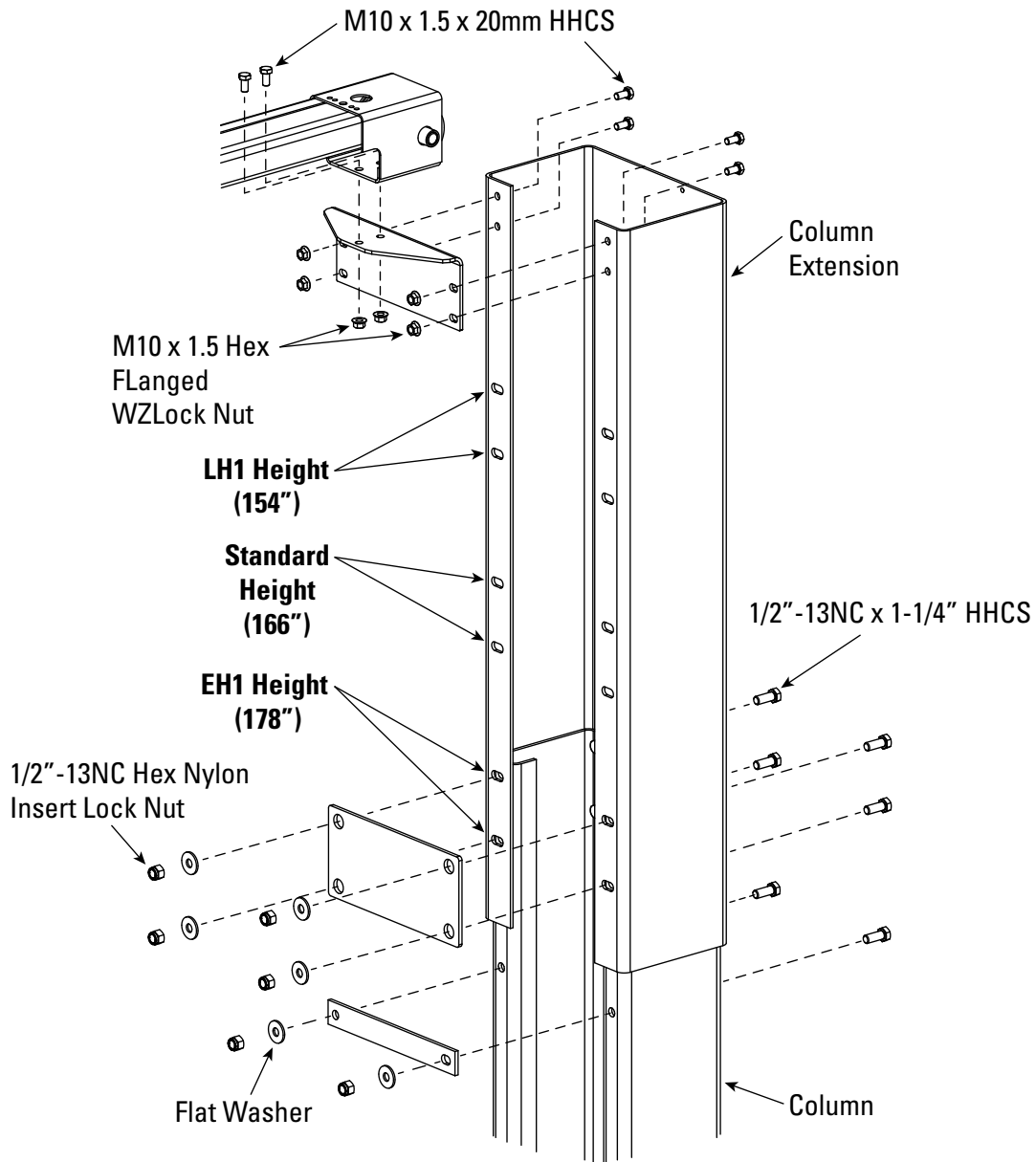
Fig. 1d

A	POWER UNIT HEIGHT	71 3/5
B	LIFTING HEIGHT (71" STROKE CYLINDER)	75 1/2
D	MIN. ADAPTER HEIGHT	4 3/5
	1 3/4" SHORT EXTENSION	FOUR INCLUDED AS STANDARD EQUIPMENT
	3 1/2" MIDDLE EXTENSION	FOUR INCLUDED AS STANDARD EQUIPMENT
	5" TALL EXTENSION	FOUR INCLUDED AS STANDARD EQUIPMENT
E	WIDTH OVERALL	140 & 146
F	INSIDE COLUMNS	114 7/8
G	WIDTH BETWEEN CARRIAGES	113 2/5
H	HEIGHT OVERALL (STANDARD)	166
	EH1 EXTENDED HEIGHT	178
	LH1 LOWER HEIGHT	154
	DP DIRECT POST (NO EXTENSION)	143
I	FLOOR TO OVERHEAD BAR	160 1/3
J	DRIVE THRU CLEARANCE	102 3/4
K	CYLINDER HEIGHT (FULL RISE 71")	12' 3/4

LIFT CAPACITY	12,000 LBS
LIFTING SPEED (RISE TIME)	60 SECONDS
MOTOR RATING OPTIONS	1 PHASE 208/230V 17-16 AMPS
WEIGHT	2230 LBS
MECHANICAL SAFETY RELEASE	MANUAL BOTH COLUMN
SWING ARM LOCKS	AUTOMATIC LOCKING UPON ASCENT
CYLINDERS	TWO, ONE PER COLUMN
CARRIAGE BEARINGS	EIGHT PER CARRIAGE UHMW
MIN.BAY SIDE	

NOTES:

- 1.) ALL DIMENSIONS ARE NOMINAL WITHOUT LEVELING SHIMS, AND ARE SUBJECT TO MANUFACTURING & INSTALLATION TOLERANCES
- 2.) STANDARD HEIGHT LIFT SHOWN
- 3.) ANCHORING REQUIREMENTS SEE SHEET 2
- 4.) ANCHORING SYSTEM TESTED TO ANSI/ALI ALCTV:2009
- 5.) ALTERNATE SEISMIC ANCHORING AVAILABLE PER IBC
- 6.) OVERALL HEIGHTS SHOWN UNDER DIMENSION "H" ARE MAXIMUM VALUES. THEY CAN BE ADJUSTED TO BE 4" OR 8 1/2" SHORTER AS NEEDED



**1. Lift Location:** Use architects plan when available to locate lift. Fig. 1a, Fig. 1b, Fig. 1c & Fig. 1d shows dimensions of a typical bay layout.

**Lift Height:** See Fig. 2 for Standard, EH1, and LH1 height settings. See Fig. 2a for DP height setting. Add 1" min. to overall height to lowest obstruction.

**IMPORTANT:** Lift comes standard with hoses and cable for 166" height. For alternate heights, 143", 154", and 178", a second set of hoses and cables are required. Secondary set of hoses and cables will be used for specified height.

**⚠ WARNING** DO NOT install this lift in a pit or depression due to fire or explosion risks.

**2. Latch Cable Guides:** Install the latch cable conduit guide brackets to column extensions with (1) 1/4"-20NC x 1" HHCS and 1/4"-20NC Flanged Locknuts, Fig. 3. HHCS should go through hole nearest the edge as shown, Fig. 3.

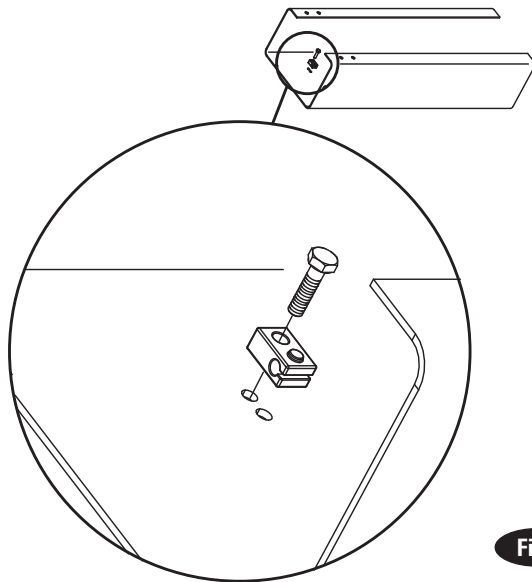


Fig. 3

**Overhead Mounting Bracket:** Install Mounting Brackets to column extensions as shown, Fig. 2 and Fig. 2a.

**3. Column Extensions:** While column is on the ground, install column extensions using (4) 1/2"-13NC x 1-1/4" lg. HHCS and Hex Nylon Locknut, Fig. 2 and Fig. 3. Use (2) M10 x 1.5 x 20mm HHCS and Flanged Locknut to attach the tie bar and the column extension together at the column's uppermost holes, Fig. 2 and Fig. 2a. The tie bar is positioned on the outside of the column extension. Adjust the column extensions plumb.

**4. Lift Setting:** Position columns in bay using dimensions shown in Fig. 1a, Fig. 1b, Fig. 1c & Fig. 1d. Place column with power unit mounting bracket on vehicle passenger side of lift. Both column base plate backs must be square on center line of lift. Notches are cut into each base plate to indicate center line of lift. Use appropriate equipment to raise carriage to first latch position. Be sure locking latch is securely engaged.

**IMPORTANT:** All star washers are to be mounted on the right side column to ensure grounding of overhead limit switch. Star washers are not needed when mounting to left side column. Notice the column extension mounting, Fig. 2 and overhead limit switch mounting as well in Fig. 6.

#### 5. Concrete and Anchoring:

Drill (14) 3/4" dia. holes in concrete floor using holes in column base plate as a guide. See Figs. 4 and 5 for hole requirements.

**⚠ CAUTION** DO NOT install on asphalt or other similar unstable surfaces. Columns are supported only by anchors in floor.

**IMPORTANT:** Using the horse shoe shims provided, shim each column base until each column is plumb. If one column has to be elevated to match the plane of the other column, full size base shim plates should be used (Reference Shim Kit). Recheck columns for plumb. Tighten anchor bolts to an installation torque of 110 ft-lbs. Shim thickness **MUST NOT** exceed 1/2" when using the 5-1/2" long anchors provided with the lift.

If anchors do not tighten to 110 ft-lbs. installation torque, replace concrete under each column base with a 4' x 4' x 6" thick 3000 PSI minimum concrete pad keyed under and flush with the top of existing floor. Let concrete cure before installing lifts and anchor.

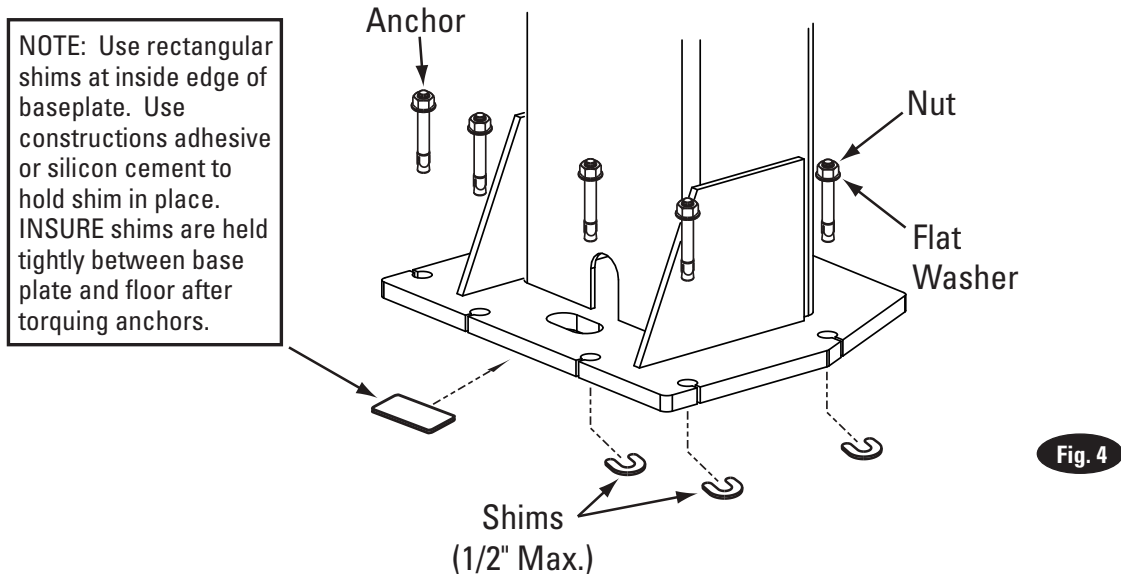
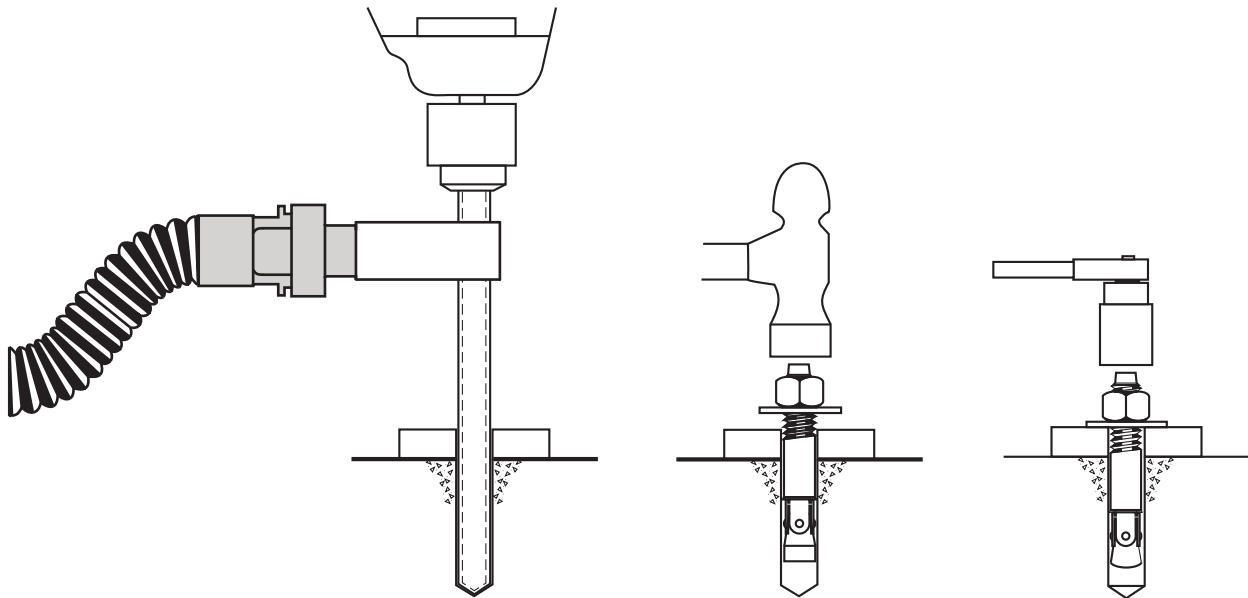


Fig. 4





Drill holes using 3/4" carbide tipped masonry drill bit per ANSI B212.15-1994 (R2000). Construction dust collected per OSHA 29 CFR 1926.1153.

Run nut down just below impact section of bolt. Drive anchor into hole until nut and washer contact base.

Tighten nut with Torque wrench to 110 ft.-lbs. (149 Nm).

**Fig. 5**

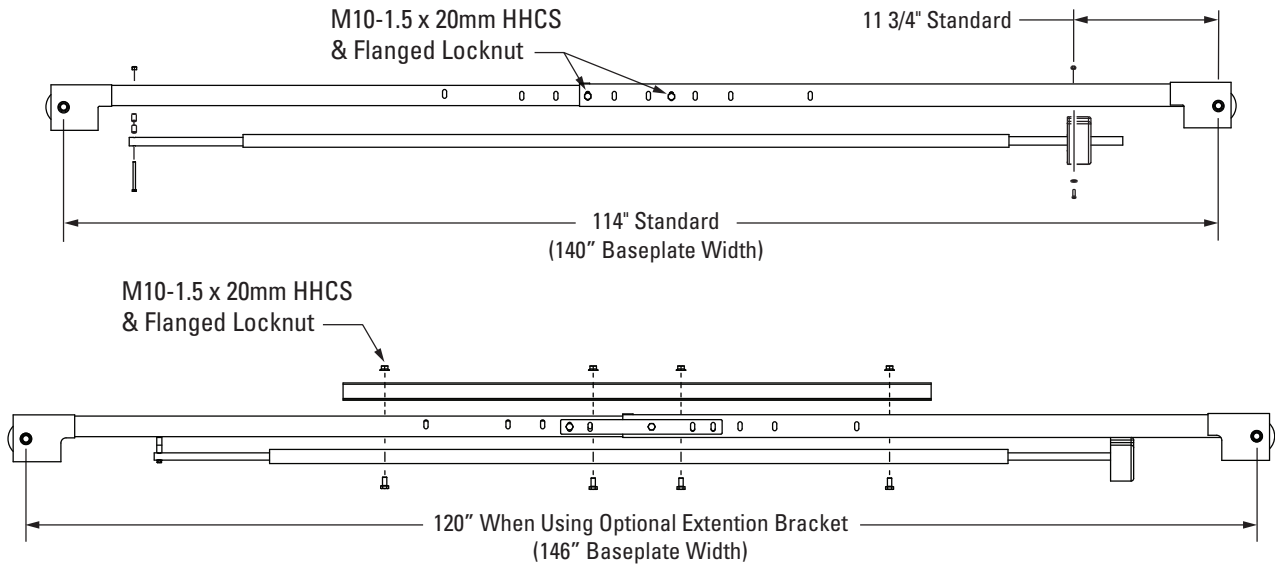
**12K 2-Post Lift Anchor Installation Reference Guide**

Anchor:	Min Concrete Thickness	Min Edge Distance	Min Anchor Embedment	Installation Anchor Torque Ft.-lbs	Min Concrete PSI Strength - For All Standards	Concrete pad Size If Concrete Does Not Meet Requirements	Maintenance Torque Values	SEISMIC
Hilti Kwik Bolt III (3/4" x 5-1/2")	4-1/4" (108mm)	3-3/8" (86mm)	3-1/4" (83mm)	110	3000	4'x4'x6"	65	Varies by location consult with your structural engineer and manufacturer's representative.
Hilti HY200 (with HAS threaded rod)	5-1/4" (134mm)	1-3/4" (45mm)	3-1/2" (89mm)	100 / less than 3-3/4" edge distance use Torque Value of 30 FT/LBS	3000	4'x4'x6"	N/A	

**\*The supplied concrete fasteners meet the criteria of the American National Standard "Automotive Lifts - Safety Requirements for Construction, Testing, and Validation" ANSI/ALI ALCTV-2011, and the lift owner is responsible for all charges related to any additional anchoring requirements as specified by local codes. Contact customer service for further information at: 800.640.5438**

**6. Overhead Assembly:** Adjust overhead to 114" between centerline of sheave pins, Fig. 6. Install (4) 3/8"-16NC x 2-3/4" Flanged HHCS & Flanged Locknuts, do not tighten. Install overhead stiffener angle inside center of overhead using (4) 3/8"-16NC x 1" Flanged HHCS and Flanged Locknuts, see Fig. 6. Slide switch box over switch bar ensuring lockout holes face the power unit column. Use (2) 1/4"-20NC x 2-3/4" lg. HHCS, (2) flat washers, (2) 3/4" spacers, and (2) 1/4" star washers and nuts to mount switch box to overhead, Fig. 7.

**7. For single phase and three phase lifts with push button control box:** Insert (2) 1/4"-20NC x 2-3/4" HHCS through pivot hole in end of switch bar. Insert opposite end of bar through slot in switch mounting bracket. Then add spacers between the limit switch box and the overhead, Fig. 6, using (2) spacers and 1/4"-20NC Locknut. Tighten Hex bolt leaving 1/16" gap between the spacer and the overhead assembly.



Hardware Detail For Overhead Assembly

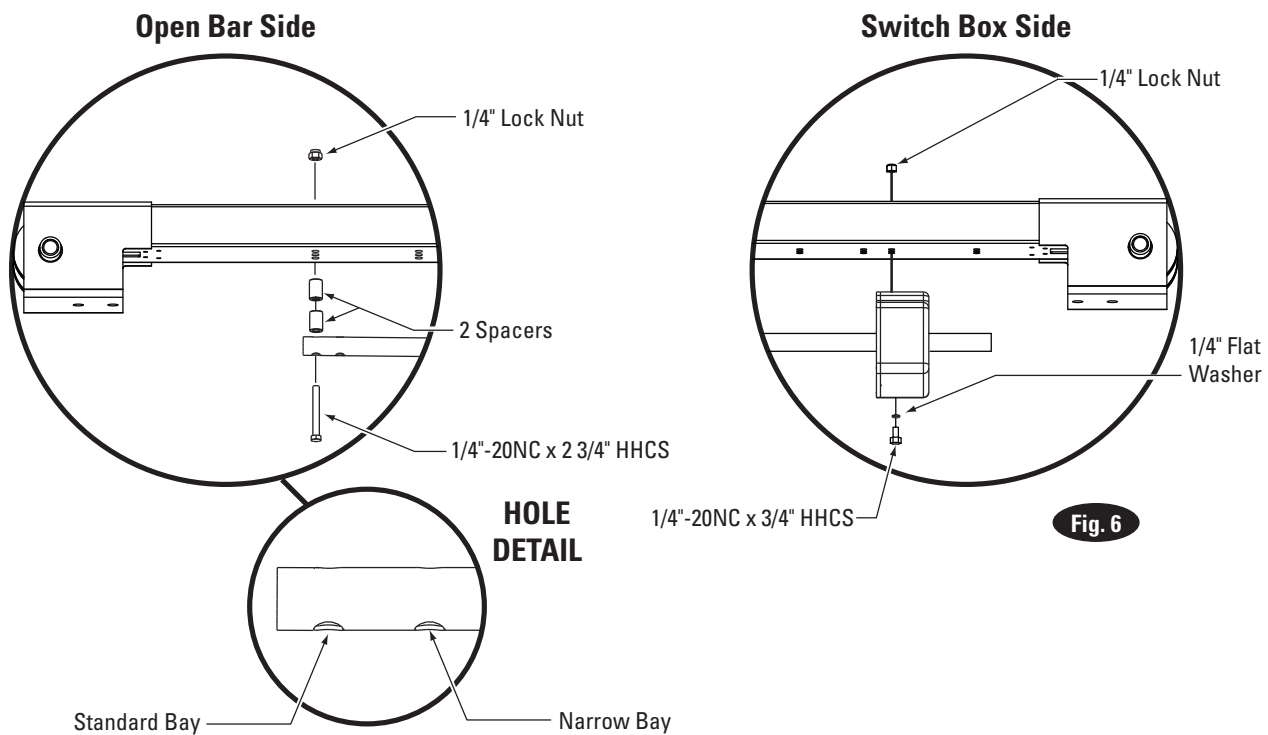
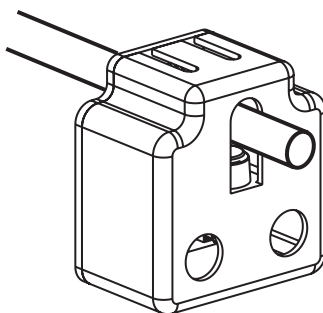


Fig. 6

**8. Overhead:** Install overhead assembly to Mounting Bracket with (2) 3/8"-16NC x 3/4" Flanged HHCS, (2) 3/8-16NC flanged locknut, see Fig. 2 and Fig. 2a. Ensure limit switch box is mounted on power unit side, Fig. 7. Tighten bolts at center of overhead assembly.

**Fig. 7**



**9. Power Unit:** Put the (4) 5/16" -18NC x 1-1/2" HHCS thru holes in power unit bracket using (4) 5/16" Ext. Tooth Lock Washers. Mount power unit with motor up to column bracket and install (4) 5/16" Ext. Tooth Lock Washers and (4) 5/16" -18NC Hex Nuts, Fig. 8a. Install and hand tighten Branch Tee to pump until O-ring is seated. Continue to tighten the locknut to 10-15 ft-lbs., or until the nut and washer bottom out against the pump manifold, Fig. 8b.

**NOTE:** You may still be able to rotate the Branch Tee. This is acceptable unless there is seepage at the O-ring. If so, slightly tighten the locknut.

**CAUTION** Over tightening locknut may tear O-ring or distort threads in pump manifold outlet.

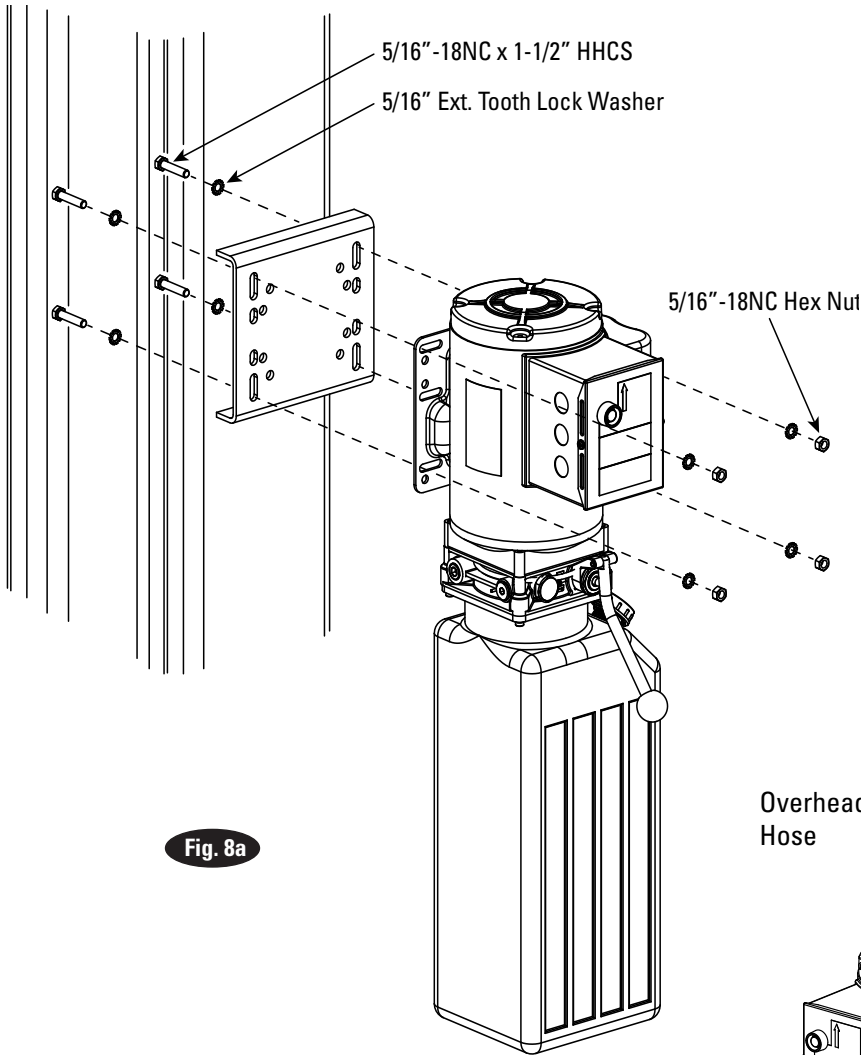


Fig. 8a

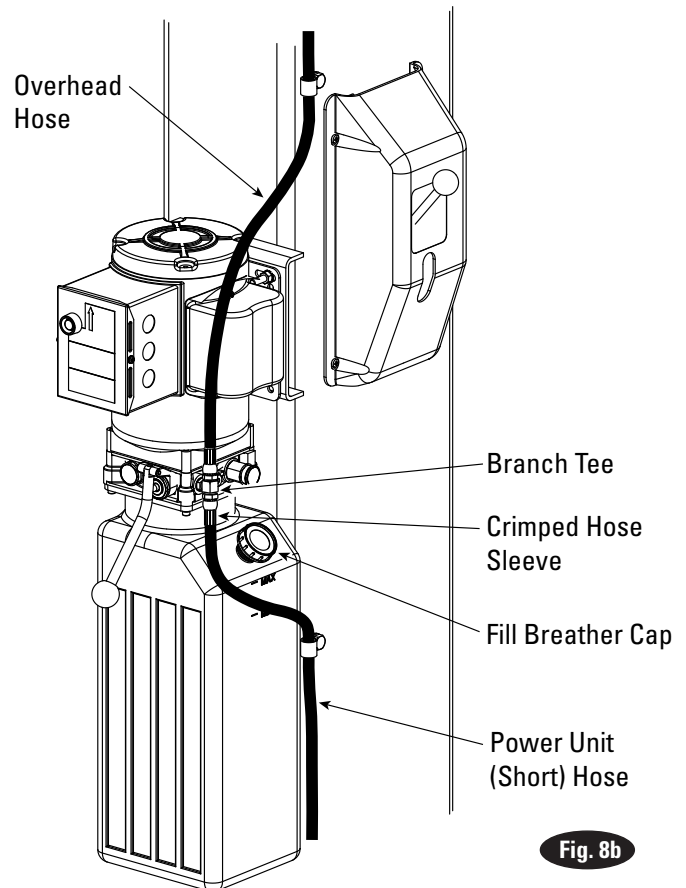


Fig. 8b

**10. Hoses:** Clean adapters and hose. Inspect all threads for damage and hose ends to be sure they are crimped, Fig. 8b. Install hose and hose clamps, Fig. 9.

**Flared Fittings Tightening Procedure**

1. Screw the fittings together finger tight. Then, using the proper size wrench, rotate the fitting 2-1/2 hex flats.

**IMPORTANT** Flare seat **MUST NOT** rotate when tightening. Only the nut should turn.

2. Back the fitting off one full turn.
3. Again tighten the fittings finger tight; then using a wrench, rotate the fitting 2-1/2 hex flats. This will complete the tightening procedure and develop a pressure tight seal.

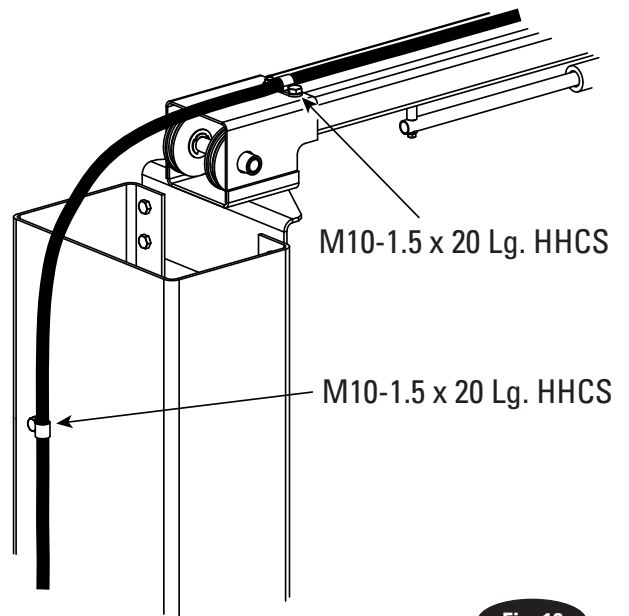
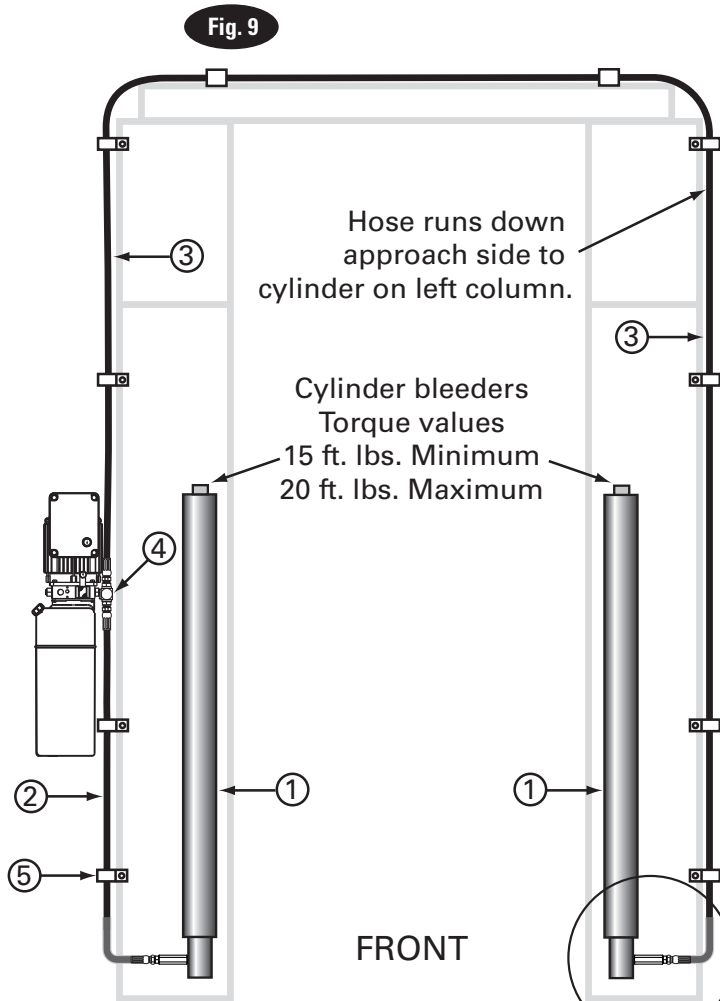
**CAUTION** Overtightening will damage fitting resulting in fluid leakage.

**NOTE:** Overhead hose crosses and runs down approach side of left column to cylinder.

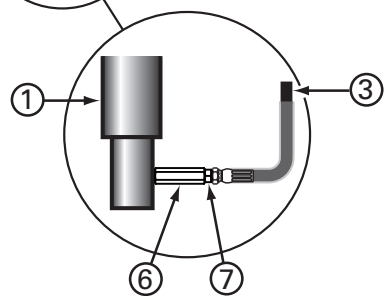
**Adapter & Hose Installation (see Fig. 9)**

1. Install Pc. (6) & Pc. (7) to hydraulic cylinders.
2. Install Pc. (2) with metal hose clamps, on power unit column side connecting it to the cylinder (1) first.
3. Install Pc. (3) with plastic hose clamps starting at opposite column cylinder (1) and working toward the power unit column. All excess hose should be at bends & inside overhead assembly.
4. Install Pc. (4) into power unit.
5. Connect Pc. (2) & Pc. (3) to Tee (4).

**NOTE:** Route Power Unit hose outside columns using mounted clips, Fig. 9. Route Overhead Hose on top of column channel on outside of column, Fig. 9. Overhead hose goes over top end of overhead assembly, Fig. 10.



ITEM	QTY.	DESCRIPTION
1.	2	Hydraulic Cylinder
2.	1	Power Unit Hose
3.	1	Overhead Hose
4.	1	Branch Tee
5.	10	Metal Hose Clips
	10	M10-1.5 x 20 HHCS
6.	2	M10 Flanged Locknuts
	2	Flow Control Valve
7.	2	Adapter
		(1) Per Hydraulic Cylinder
		(1) Per Hydraulic Cylinder



## 11. Equalizing Cables

- A) Refer to Fig. 11 for the general cable arrangement. First, run a cable end up through the small hole in the lower tie-off plate, Fig. 11a.
- B) Push the cable up until the stud is out of the carriage top opening.
- C) Run a nylon insert locknut onto the cable stud so 1/2" (13mm) of the stud extends out of the locknut.
- D) Pull the cable back down, Fig. 11a
- E) Run cable around the lower sheave, then up and around overhead sheave and across and down to the opposite carriage, Fig. 11.
- F) Fasten the cable end to the carriage upper tie-off bracket. Tighten the locknut enough to apply light tension to the cable.
- G) Repeat procedure for the second cable. Complete lift assembly. Adjust the tension of both cables during the final adjustments.

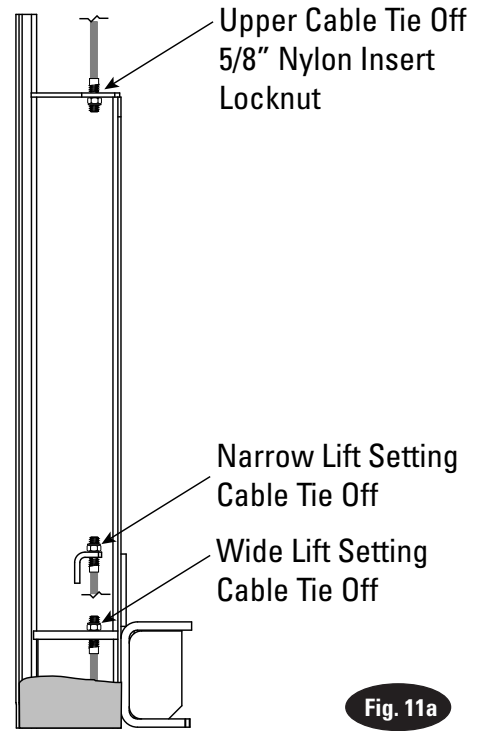


Fig. 11a

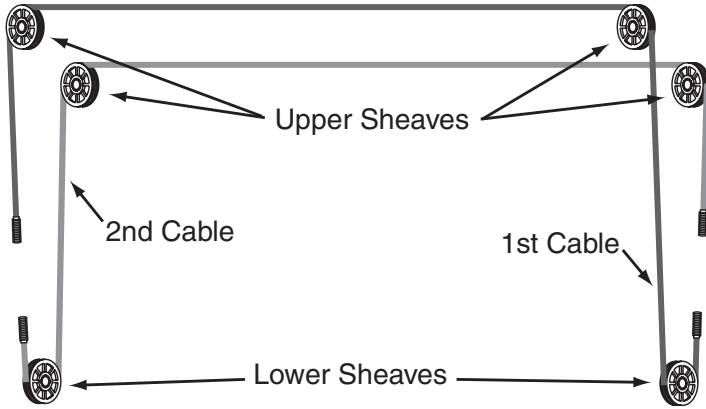


Fig. 11

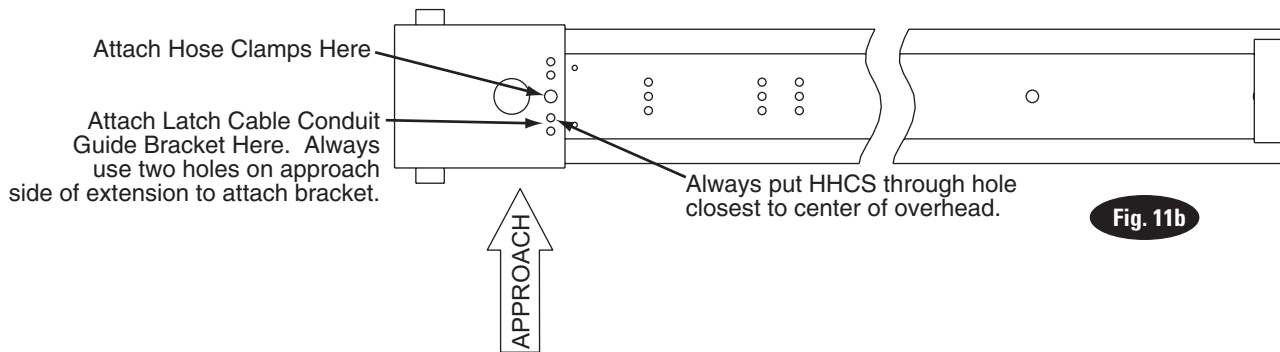


Fig. 11b

## 12. Locking Latch Cable

- A) Install latch cable sheave and retaining rings in upper slot of power unit column as shown, Fig. 11c.
- B) Slip loop end of cable over end of shoulder screw on right side latch control plate, Fig. 11c.
- C) Feed the other end of the cable through the latch cable sheave slot making sure that the cable is running under the bottom side of the latch cable sheave and inside the right column, Fig. 11c.
- D) Attach latch cable conduit guide brackets to overhead as shown, Fig. 11b & Fig. 11d. Always use the holes on the approach side of the lift. HHCS should be in hole nearest the center of the overhead, Fig. 11b.
- E) Route cable up inside column and through the latch cable guide, Fig. 11d & Fig. 12.

- IMPORTANT** Using wire ties provided, tie off cable guide to column extension as shown, Fig. 11d. Guide must be attached in hole closest to the outside edge of the column on the NON-APPROACH side.
- F) Continue routing cable to the left column latch cable guide, Fig. 11d & Fig. 12, routing the cable through the left column latch cable guide, Fig. 11d.

- IMPORTANT** Using wire ties provided, tie off cable guide to column extension as shown, Fig. 11d. Guide must be attached in hole closest to the outside edge of the column on the NON-APPROACH side.

- G) Bring the cable down inside the left column and feed the end of the cable through the lower latch cable sheave slot so that the cable is now back outside the column, Fig. 13.
- H) Install latch cable sheave and retaining rings in lower slot of non-power unit column as shown, Fig. 13.

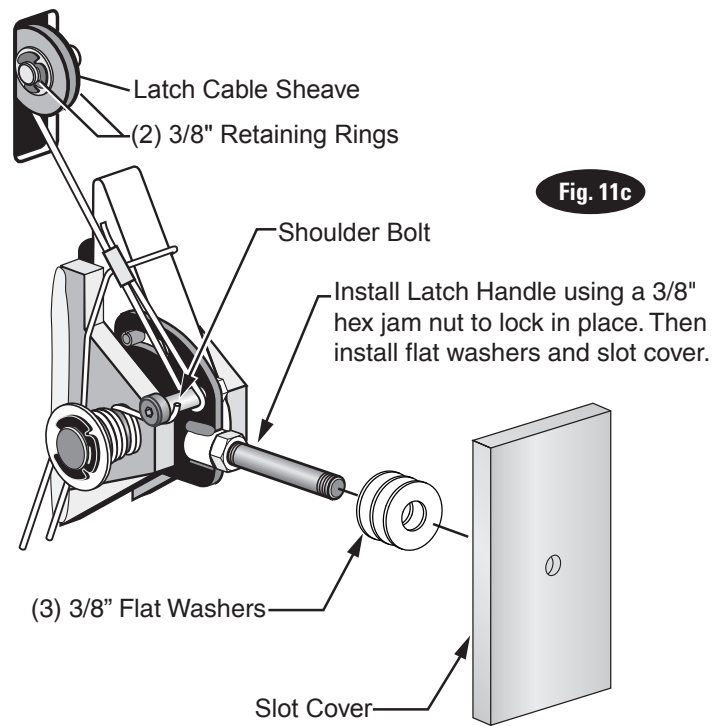


Fig. 11c

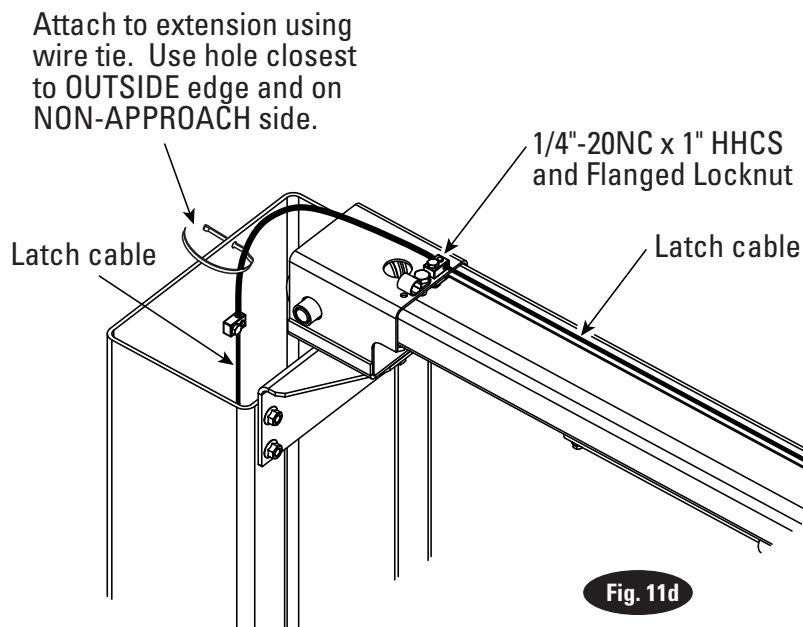
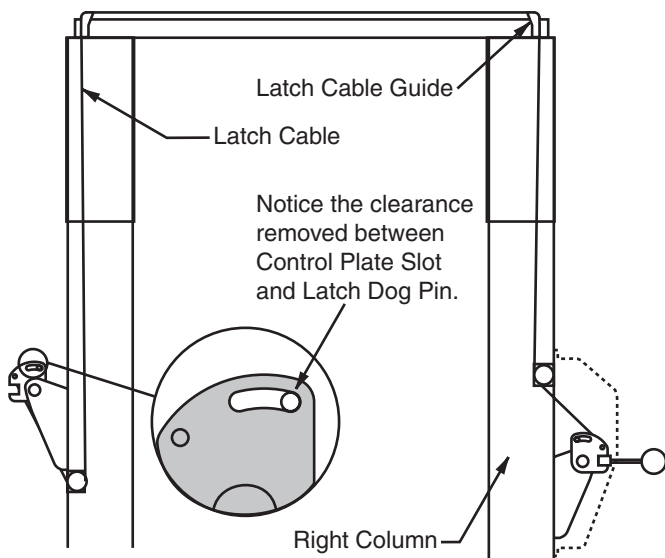
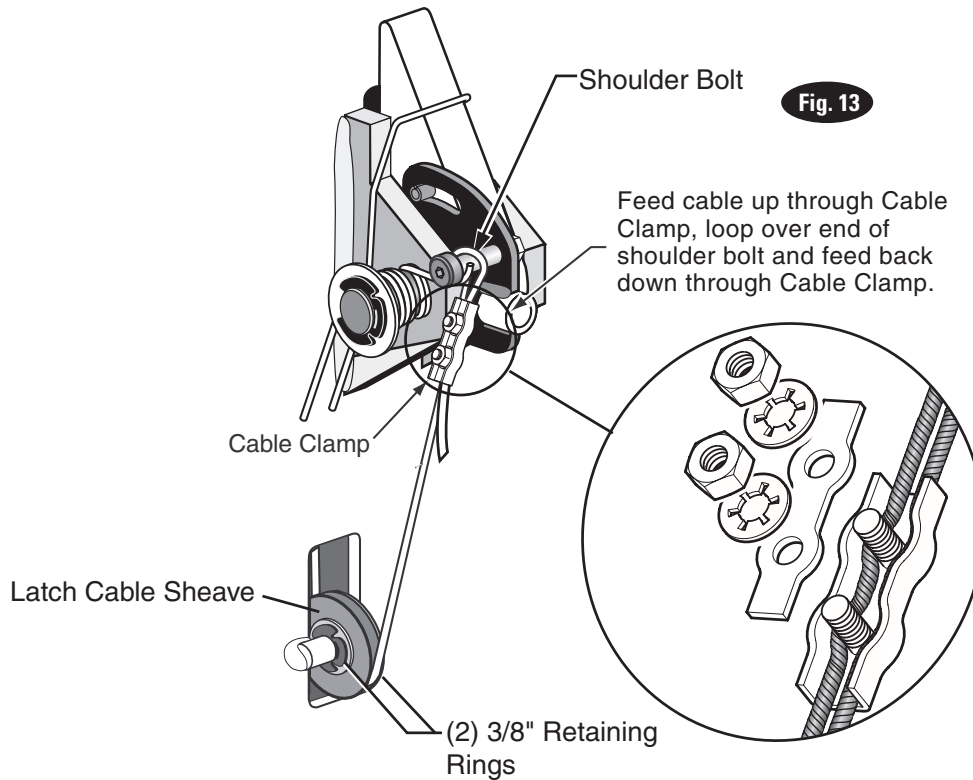


Fig. 11d

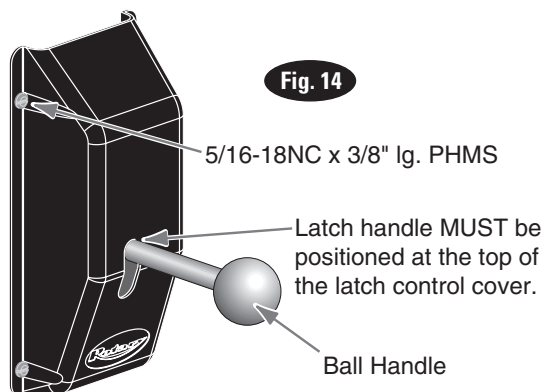


**Fig. 12**

- I) Route cable under the bottom side of the latch cable sheave, Fig. 13.
- J) At this point you **MUST** install the latch handle, jam nut, and right column latch cover Fig. 11c & Fig. 14. Install latch handle ball, Fig. 14.
- K) Insert cable in cable clamp along one side, loop around shoulder screw and back down, inserting cable along other side of cable clamp, Fig. 13. Place top back on clamp, barely tightening.
- L) Next, pull the control plate down, Fig. 12 & Fig. 13, to eliminate any clearance between the control plate slot and the latch dog pin, Fig. 12.
- M) Using Pliers, pull cable tight and secure the clamp close to the shoulder screw. Tighten clamp.



**Fig. 13**



**Fig. 14**



**13. Electrical (1Ø Only):** Have a certified electrician run appropriate power supply to motor, Fig. 15. Size wire for 20 amp circuit. For single phase 4HP motor wire for 30 amp circuit. See Motor Operating Data Table.

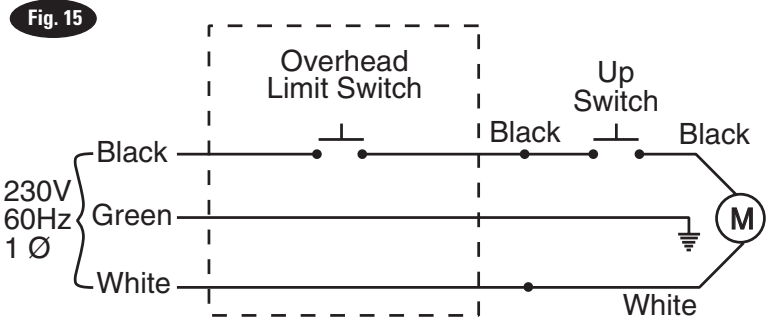
**CAUTION** Never operate the motor on line voltage less than 208V. Motor damage may occur.

**IMPORTANT:** Use separate circuit for each power unit. Protect each circuit with time delay fuse or circuit breaker. For single phase 208-230V, use 20 amp fuse. For single phase 4HP motor use 30 amp fuse. Three phase 208-240V, use 20 amp fuse. For three phase 400V and above, use 10 amp fuse. For wiring see Fig. 15 and Fig.16b. All wiring must comply with NEC and all local electrical codes.

**Note:** 60Hz. single phase motor **CAN NOT** be run on 50Hz. line without a physical change in the motor. Please confirm motor specification before connecting to 50Hz.

### Single Phase Power Unit

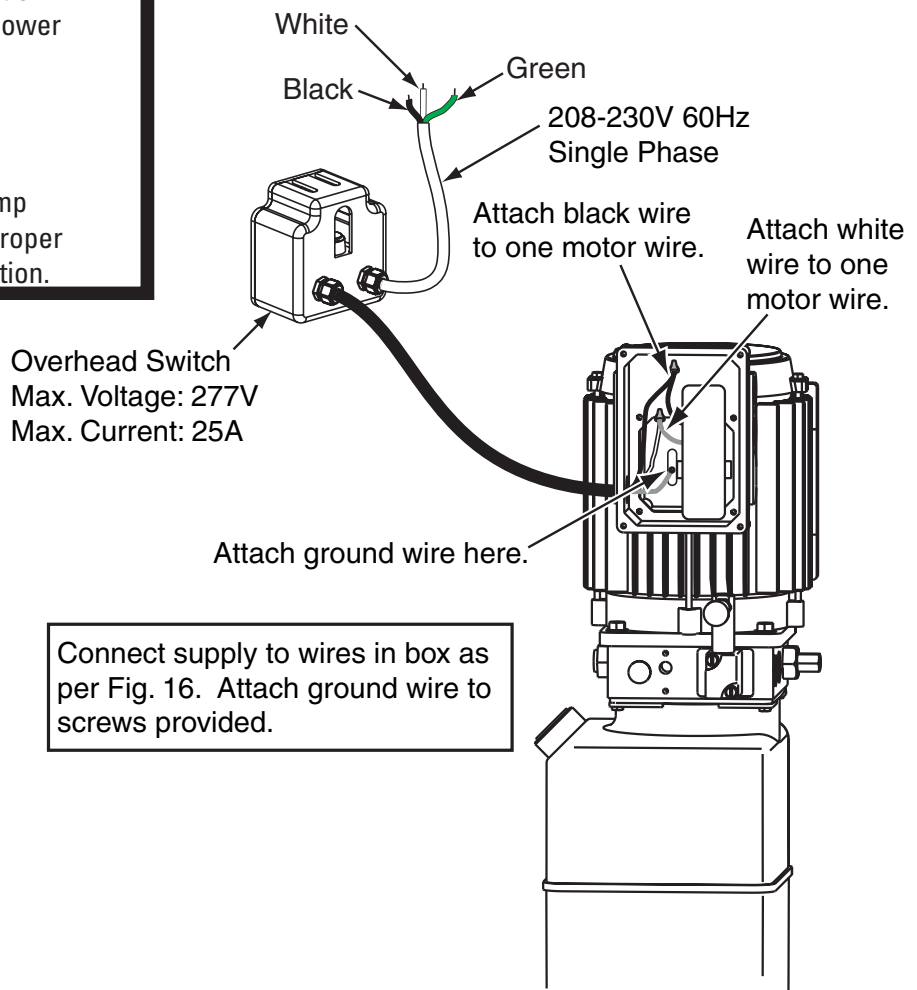
MOTOR OPERATING DATA TABLE - SINGLE PHASE	
LINE VOLTAGE	RUNNING MOTOR VOLTAGE RANGE
208-230V 50Hz.	197-253V
208-230V 60Hz.	197-253V



**NOTE:** Assure cord used for connection between the overhead switch and power unit is of the type specified in:

UL201, Sections 10.1.1.3 & 10.1.1.4

(Example: SO, G, STO) Size for 25 amp circuit. See UL 201, Section 15 for proper wiring requirements for this connection.



Connect supply to wires in box as per Fig. 16. Attach ground wire to screws provided.

**14. 3Ø Control Box Installation:**

- A) Attach Mounting Bracket on column as shown in Fig. 16a using (2) 5/16" -18NC x 1-1/2" HHCS, (2) 5/16" -18NC Hex Nuts, and (2) 5/16" Ext. Tooth Washers, shown in Fig. 8a.
- B) Attach Control Box to Bracket using (4) 1/4" -20NC x 1/2" HHCS, (4) 1/4" Flat Washers, and (4) 1/4" Star Washers.
- C) Route cord through strain relief on motor and connect per table on the bottom of page 18.

**Note:**

The contactor in the control box has a 480V coil. For installations where the electric supply is 230V, the coil must be replaced with the extra 230V coil shipped with the control box. For 575V electric supply, the coil must be replaced with the extra 575V coil shipped with the lift.

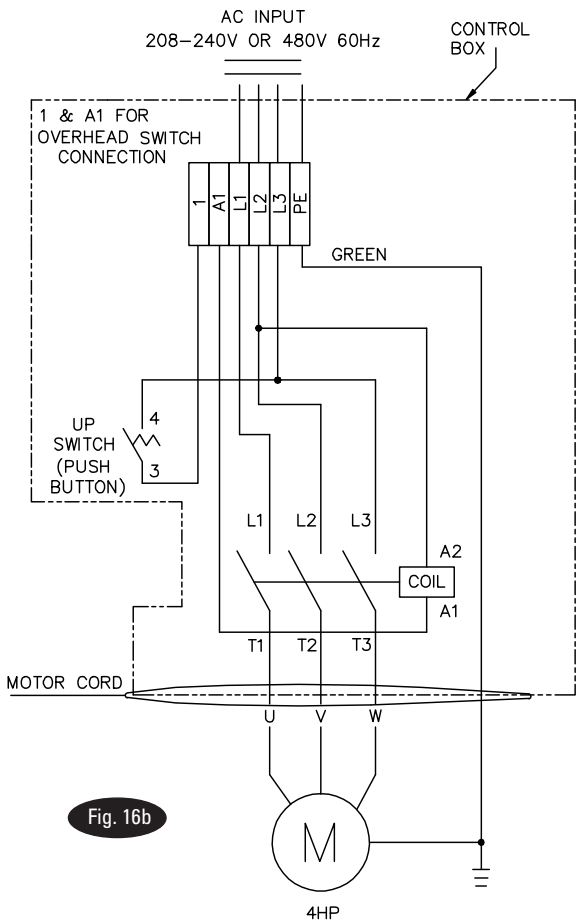


Fig. 16b

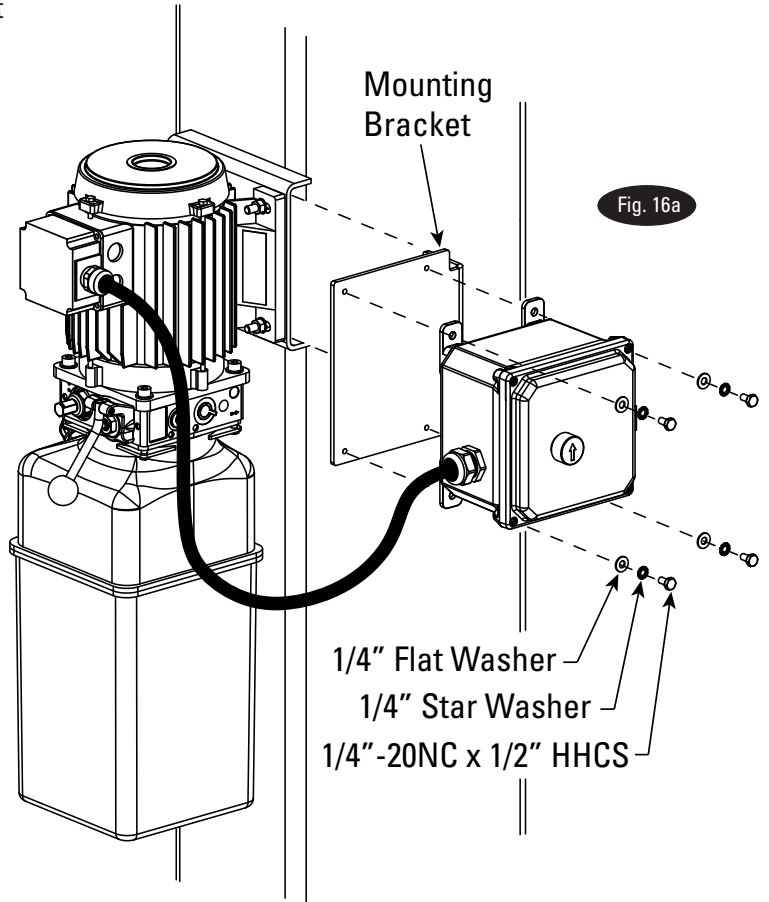
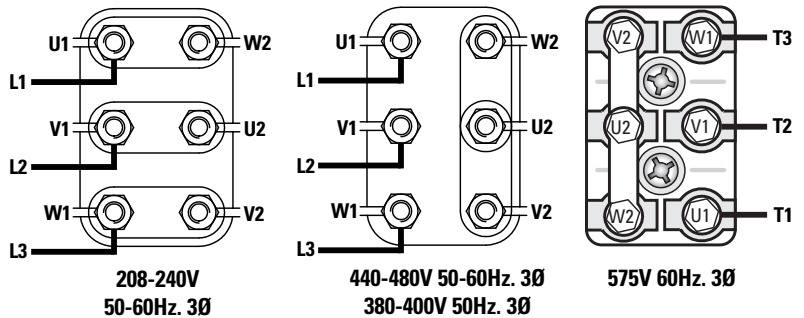
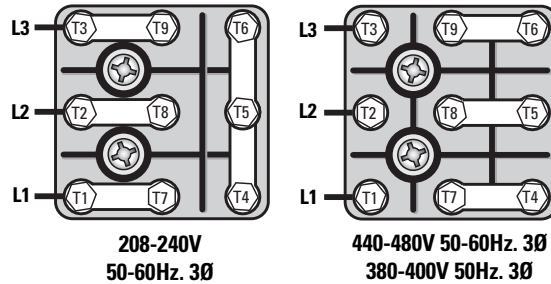


Fig. 16a

1/4" Flat Washer  
1/4" Star Washer  
1/4"-20NC x 1/2" HHCS

**Use Appropriate Terminal Diagram**



**Three Phase Power Unit**

MOTOR OPERATING DATA TABLE - THREE PHASE	
LINE VOLTAGE	RUNNING MOTOR VOLTAGE RANGE
208-240V 50/60Hz.	197-253V
400V 50Hz.	360-440V
440-480V 50/60Hz.	396V-528V
575V 60Hz.	518V-632V

**15. Oil Filling & Bleeding:** Use Dexron III ATF, or Hydraulic Fluid that meets ISO 32 specifications. Remove fill-breather cap, Fig. 8b. Pour in (8) quarts of fluid. Start unit, raise lift about 2 ft. Open cylinder bleeders approximately 2 turns, Fig. 9.

Close bleeders when fluid streams. Torque values for the bleeders are 15 ft. lb. minimum and 20 ft lb. maximum. Fully lower lift. Add more fluid until it reaches the MIN \_\_\_\_\_ mark on the tank. Replace fill-breather cap.

**CAUTION** If fill-breather cap is lost or broken, order replacement. Reservoir must be vented.

**16. Overhead switch:** Check overhead switch assembly to assure that switch bar is depressing switch plunger sufficiently to actuate the switch. The overhead switch is wired normally open, see Fig. 15, Fig. 16, and Fig. 16b. Lift will not operate until weight of switch bar is depressing switch plunger. Verify that Power Unit stops working when switch bar is raised, and restarts when the bar is released.

**17. Arms & Restraints:** Before installing arms, raise carriages to a convenient height. Grease swivel arm pins and holes with Lithium grease. Slide arm into yoke, Fig. 17a. Install 1-3/4" diameter arm pin(s), Fig. 17a.

After installing arms and pins, install arm Restraint Gears as follows: Install Restraint Gear onto arm clevis, as shown, Fig. 17b. Ensure side of gear marked **TOP** is facing upward, Fig. 17b.

**NOTE: TOP is stamped on top side of gear. You may need to pull up on the pin-ring to allow enough room to install Restraint Gear.**

Then, install the (2) 3/8"-16NC x 1-1/2" HHCS (8 total for all 4 arms) and 3/8" Spring Lockwashers into the gear and arm, but do not tighten. Reference Fig. 17c, Fig. 18, and Fig. 19.

Torque the Restraint Gear bolts to 30-34 ft.-lbs.

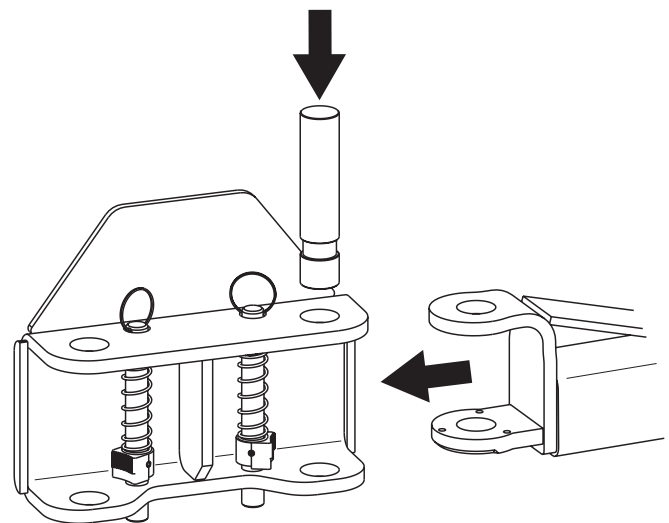
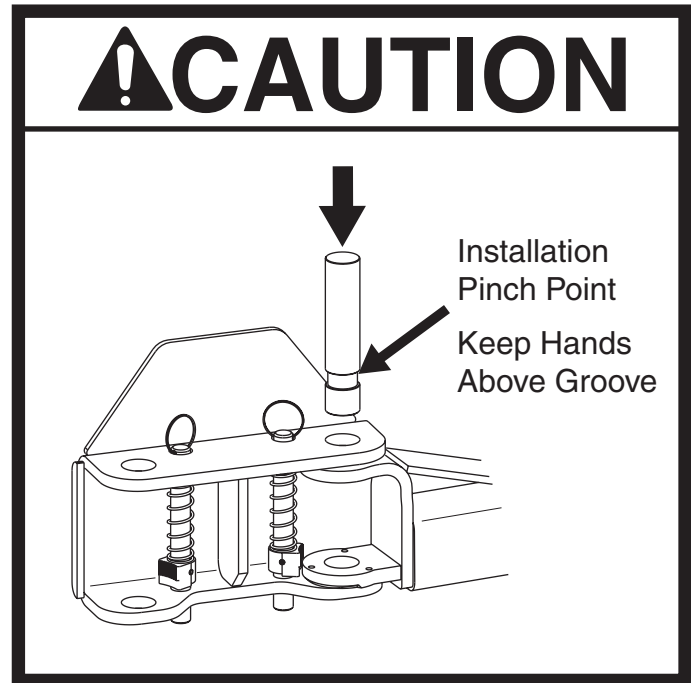


Fig. 17a

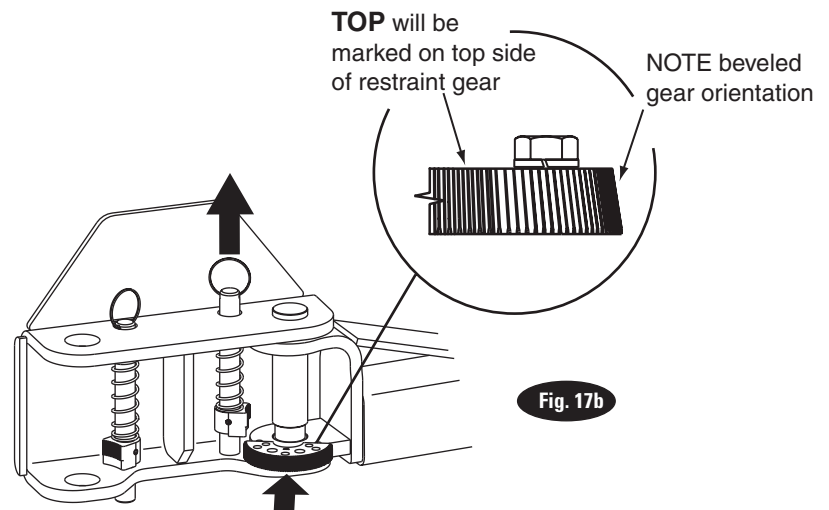


Fig. 17b

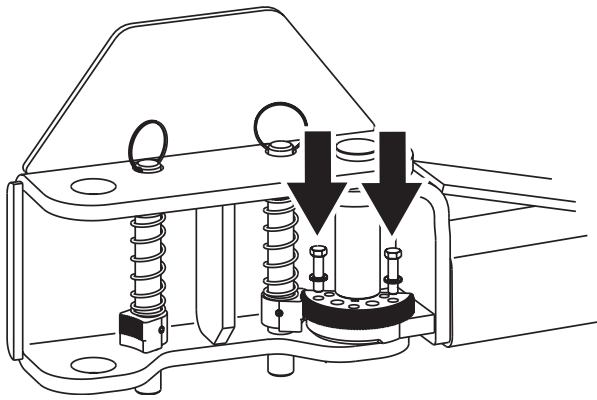


Fig. 17c

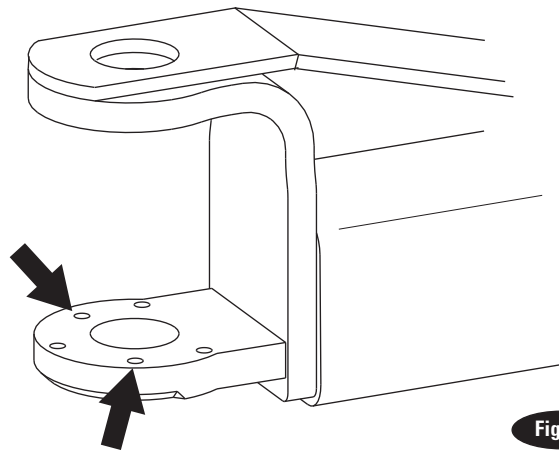


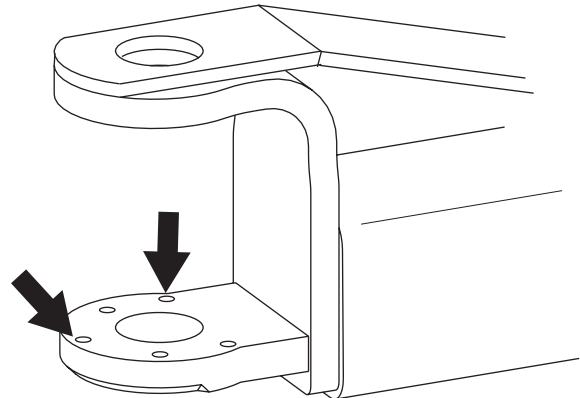
Fig. 18

DO NOT use holes marked with arrows.

**NOTE:** To check operation of arm restraints, raise carriage 1" min. from full down position. Pull up on pin-ring and adjust arms to desired position. To engage restraint, let pin-ring down allowing gear teeth to mesh together. It may be necessary to rotate arm slightly to engage gear teeth.

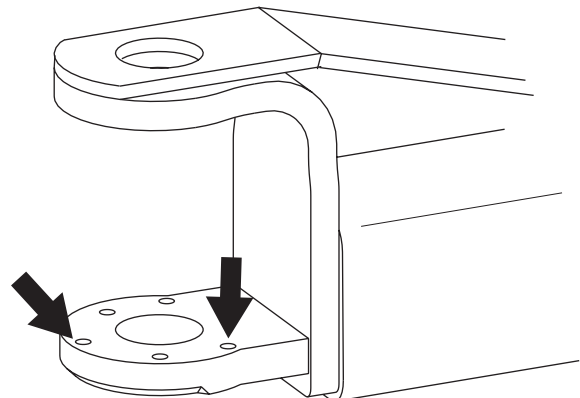
**NOTE:** Pin & Ring, Spring, & Gear Block are all pre-assembled.

**NOTE:** Once arm is installed in yoke, pull up actuator pin and swing arm fully around, being sure that the Restraint Gear and Gear Block always stay aligned. If they do not stay aligned, remove restraint gear and install in the opposite position.

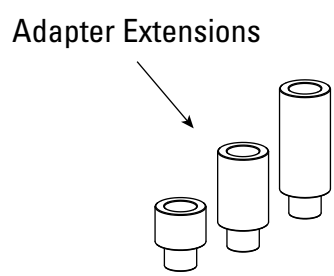
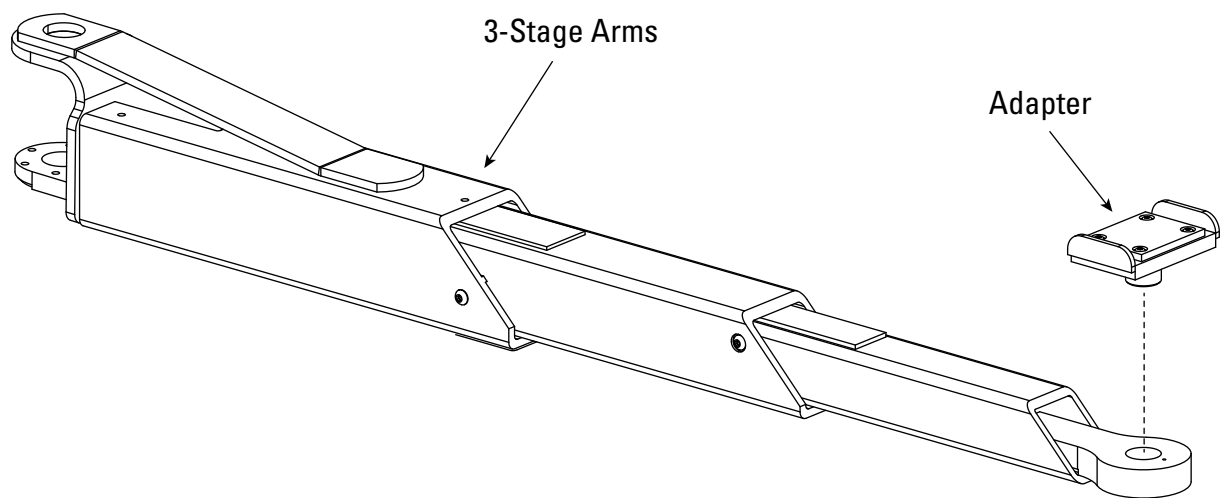
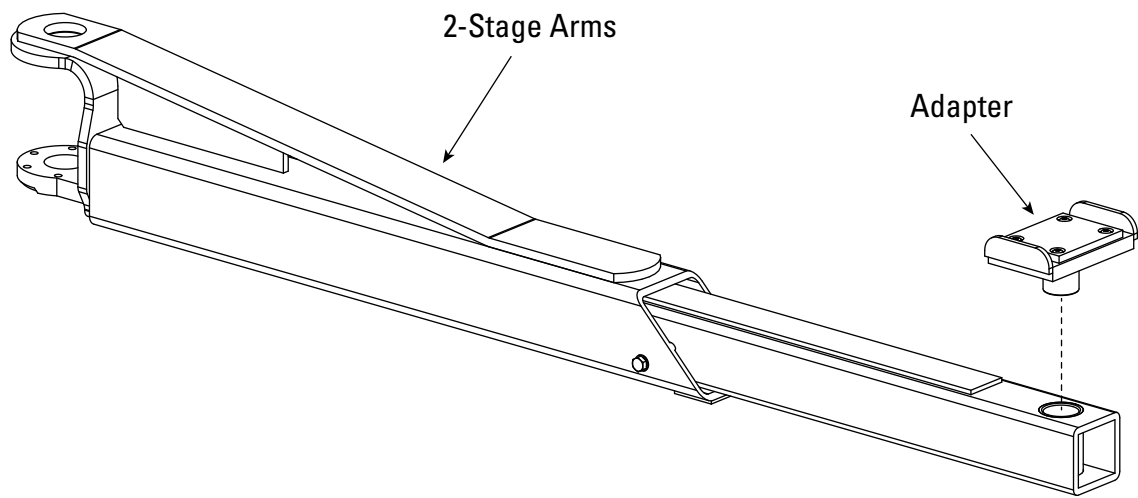


Use holes marked with arrow for Right Front and Left Rear.

Fig. 19



Use holes marked with arrow for Left Front and Right Rear.



18. **Installation for Adapter Extension Bracket:** Install bracket as shown, Fig. 20, using 5/16"-18NC x 3/8" Lg. PHMS.

19. **Door Bumper Installation:**

Install bumper as shown, Fig. 21, using M8 x 35 Lg. HHCS.

20. **Latch Cable Adjustment:**

- A) Check to make sure the latch will properly engage and disengage. **Slowly** release the latch handle. A 1/8" gap between the top of the latch dog and the column is allowable.
- B) When raising, listen to latches to be sure that both latch dogs fall into latch slots. If they do not, loosen clamp and adjust tension as necessary.
- C) Install left latch cover using 5/16-18NC x 3/8" lg PHMS.

21. **Pressure Test:** Run lift to full rise and keep motor running for 5 seconds. Stop and check all hose connections. Tighten or reseal if required. Repeat air bleeding of cylinders.

Fig. 20

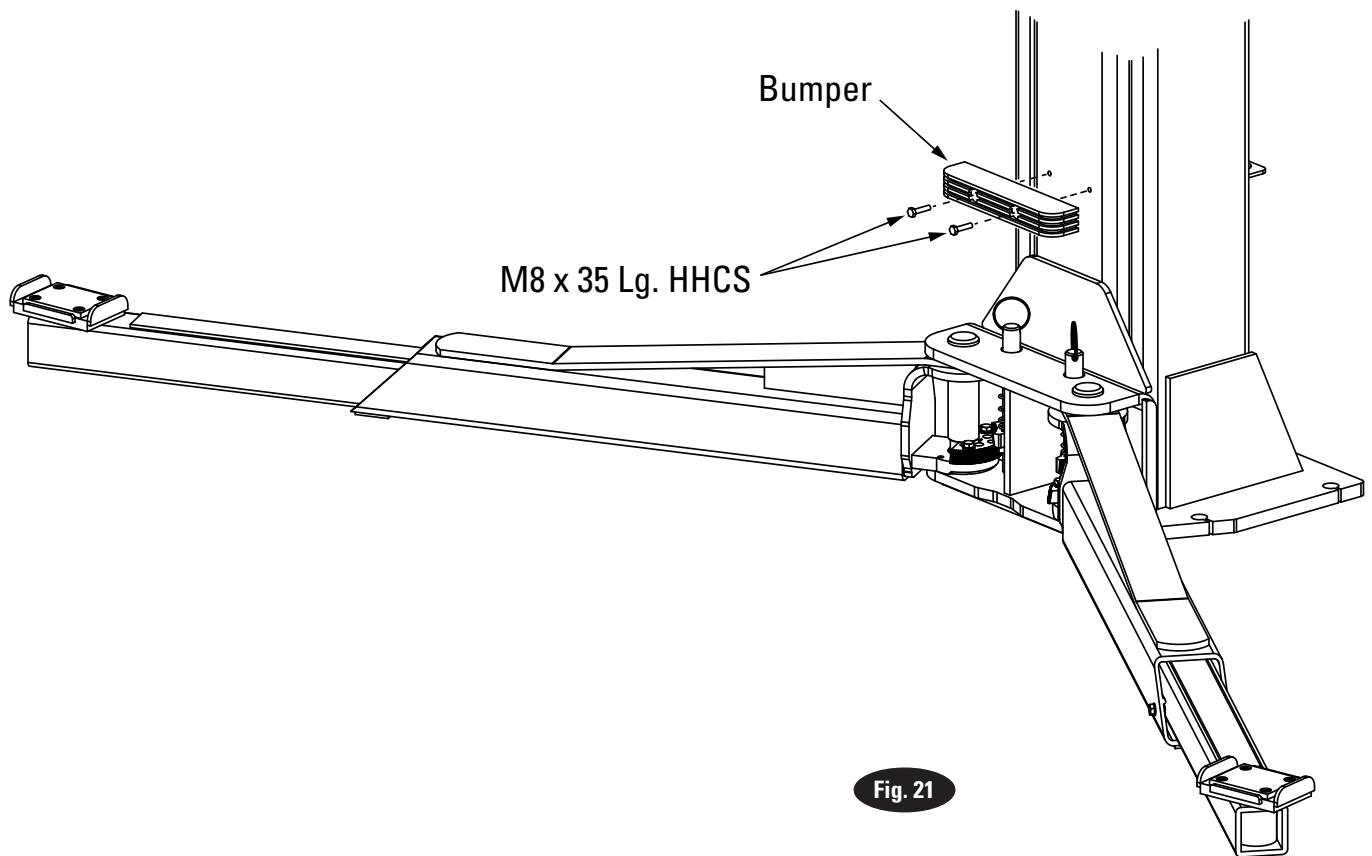
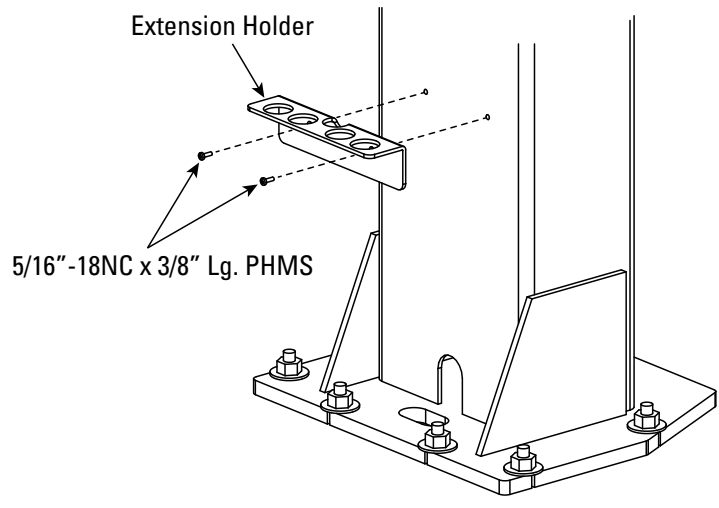


Fig. 21

- 22. **Equalizer Cable Adjustments:** Raise lift to check equalizer cable tension. Below carriage, grasp adjacent cables between thumb and forefinger, with about 15 lbs. effort you should just pull the cables together. Adjust at upper tie-offs Fig. 21a.
- 23. **Latch Release Decal:** Install latch release decal on cover above latch release handle, Fig. 22.
- 24. **Pinch Point Decal Location:** Install enclosed pinch point decals. Place (1) decal on each column, Fig. 23.
- 25. **Upon completion** of the assembly of the lift, the lift is to be operated to assure proper function. Observe for locks operating in all locking positions, each side lifts equally, hydraulics do not leak, all electrical controls function as labeled, all pneumatics are functional and leak free, ramps rotate freely (if applicable), and proper clearances with all items in bay have been maintained.

Operate the lift with a typical vehicle and observe to assure the same items for proper functioning.

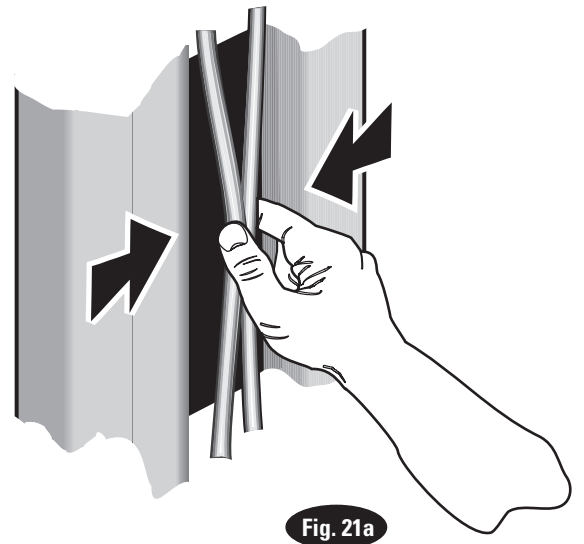


Fig. 21a

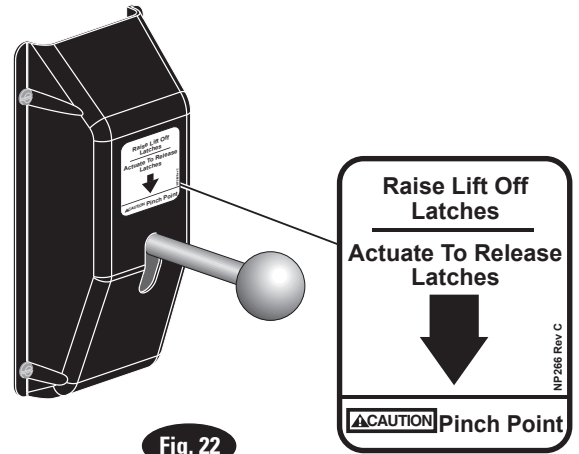


Fig. 22

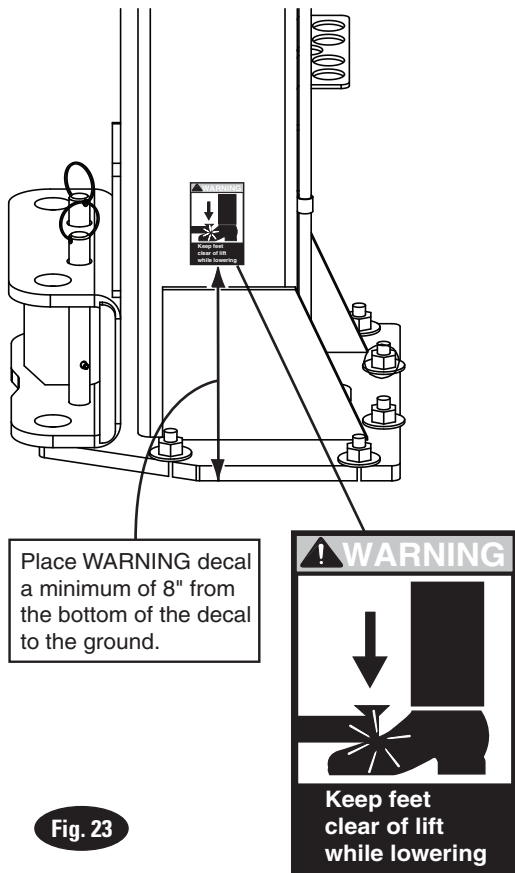


Fig. 23

## NOTES





**Installer:** Please return this booklet to literature package, and give to lift owner/operator.

***Thank You***

**Vehicle Service Group<sup>SM</sup>**  
2700 Lanier Drive  
Madison, IN 47250, USA  
1-800-640-5438  
[www.vsgdover.com](http://www.vsgdover.com)



© **Vehicle Service Group<sup>SM</sup>**  
All Rights Reserved. Unless otherwise indicated, **Vehicle Service Group<sup>SM</sup>**, and all other trademarks are property of Dover Corporation and its affiliates.