



Rotary



DRIVE-ON LIFTS

GENERAL SERVICE **RUNWAY LIFTS**

Dependable PATENTED **VERSATILE** Experience PRODUCTIVE

SPEED Original TRUSTED **LEADER** Reliable BATTERY **FASTER**

Buy America CRAFTED Global Leader SHOCKWAVE™ Raised in Madison **TESTED**

PREFERRED Efficient CRAFTSMANSHIP Robust Superior **Service**

VALUE **Pride** Innovative Long-Lasting PERFORMANCE



www.rotarylif.com



Shown: SMO14U101YBL 14,000 lbs. capacity SHOCKWAVE-equipped runway lift with optional rolling jacks



Rotary drive-on lifts make jobs easier all the way around.

For easier vehicle spotting you need a drive-on lift. Create significant value for your shop when it comes to increased efficiency for general maintenance and multi point inspections - especially when you add our Shockwave technology for rises and descents that are twice as fast.

The most expensive lift is the one that doesn't work.

You can trust the fact that no brand of lift performs better or longer than Rotary. A lower price doesn't necessarily mean you're getting a lift for less. Our lifts are investments that pay for themselves quickly and boost your business for years to come. Rotary lifts cost less to operate, have a consistent track record of uptime with lower repair costs and are manufactured with 95 years of legendary quality.

Rotary lifts are engineered, tested, and supported with pride in Madison, IN USA. Crafted by people who love what they do delivering their best work to you - our customer.

Choose the right lift for your shop.

Rotary Lift.



**GENERAL SERVICE RUNWAY LIFTS
ENGINEERED FOR CARS, TRUCKS and COMMERCIAL VEHICLES**

Discover the competitive, exclusive features, the variety of lifting configurations, and available accessories that only Rotary offers!

Fit and lift whatever is driven on the road. Rotary drive-on lifts accommodate a variety of vehicle classes by easily pulling up onto the lift with confidence. Open front and open through designs allow service technicians to move freely around the vehicle. Taller rise heights mean less stooping below a beam structure. With available lift accessories you can handle the additional business that will come your way. Do more work than just lift a vehicle. Do it all with a certified Rotary lift in your shop.

Supercharge SM14 Series lifts with exclusive SHOCKWAVE™ power

SHOCKWAVE™ equipped lifts are the fastest lifts in the world, accelerating productivity and increasing service orders per bay. Designed specifically for bays where service speed is essential.



SCAN THIS VIDEO CODE TO LEARN ABOUT SHOCKWAVE LIFTS

Shockwave™ equipped lifts feature:

- Spotline™ motion activated spotting laser. Center vehicles in bays accurately.
- Patented DC power system gives you an inexpensive and reliable operation while using two standard Group 24 batteries.†
- The built in battery charger uses 110v power, eliminating the need for expensive 220v wiring, and, if your shop loses power, SHOCKWAVE-equipped lifts keep on working.

Watch your productivity increase, the number of service orders increase and be shocked at the increase in revenue!



14,000 LBS. CAPACITY RUNWAY LIFTS

SMO14

OPEN FRONT DESIGN

14,000 lbs. Four Post Lift

Features two runway lengths with an open front design for greater vehicle access

OPEN FRONT
SHOCKWAVE-POWERED
MODELS

SMO14L-SW
SMO14EL2-SW



SHOWN:
SMO14U101YRD



SHOWN:
SMO14101YBL

SM14

CLOSED FRONT DESIGN

14,000 lbs. Four Post Lift

Features three runway lengths

CLOSED FRONT
SHOCKWAVE-POWERED
MODELS

SM14S-SW
SM14L-SW
SM14EL2-SW



SHOWN:
SM14U100YRD



SHOWN:
SM14N100YBL

SM14 SERIES FEATURES:

- Industry-Best Rise: 78 3/4"
- Dual Function Sentinel Lock™ System
- Available with SHOCKWAVE™ Power
- Single Piece 20" Runways
- Air Operated Lock Release
- Adjustable Lock Ladders Keep Lift Level
- Louvered Ramps with Polymer Rollers
- Air Filter / Regulator / Lubricator
- Powder-Coated Hammer Tone Paint
- Alignment Conversion Available
- Converts to a Drive-Thru Lift

OPTIONAL LIFT ACCESSORIES

Contact the manufacturer for proper lift application

Air / Utility Box includes two 110v electric outlets, air connection with filter/regulator/lubricator

Ramp Kits for drive-thru capability and low-profile vehicles

Air Operated Tire and Wheel Lifts with air hose and air tool connection

SPOTLINE™ Laser Kit helps center vehicles in bays quickly and accurately

TECH LIGHT™ LED Runway Lighting Kit / Four light wands for effective lighting

TECH LIGHT™ Line Light R / LED inspection hand lamp with top spot light

Oil Drain Pans include splash guard, drain valve and dust cap

Lock Light™ provides green light visual confirmation when lift is lowered to its locks

Removable Work Steps for lifts with slots on sides of runways / SM14 lifts only

	MODEL Lift Colors are Blue and Red	SM14 4 POST LIFT	SMO14 4 POST LIFT
	STANDARD LONG EXTENDED	SM14N100Y SM14N101Y SM14N102Y	SMO14N101Y SMO14N102Y
	SHOCKWAVE EQUIPPED	SM14U100Y SM14U101Y SM14U102Y	SMO14U101Y SMO14U102Y
Lift Capacity		14,000 lbs.	14,000 lbs.
Rise*		73 3/4" / 78 3/4"	78 3/4"
Width Overall †		131 3/4"	140 1/2"
Length Overall †		226" / 250" / 283"	253" / 286"
Maximum Wheelbase		158" / 182" / 215"	182" / 215"
Drive-Thru Width		116 1/4"	116 1/4"
Column Height		90"	108 11/16"
Width Between Runways		43" to 46"	43"
Runway Width		20"	20"
Minimum Bay Size		15' x 23', 26' or 28'	15' x 26' or 28'
Motor / Voltage With SHOCKWAVE		2 HP / 208 - 230V 5 HP / 110V	2 HP / 208 - 230V 5 HP / 110V
Time of Full Rise With SHOCKWAVE**		65 seconds 35 seconds	65 seconds 35 seconds

*Rise measures floor to top of runways at full stroke. ♦STANDARD model rise measurement.

† Length and or width is 10 -1/2" longer with SHOCKWAVE unit mounted on column side or front.

**Actual times depend on vehicle weight

Narrow bay SM14 models available. Consult factory for minimum bay size.



14,000 to 30,000 LBS. CAPACITY RUNWAY LIFTS

X14

OPEN THROUGH DESIGN

14,000 lbs. Capacity Scissor Lift

Open scissor design saves space and provides greater technician access with true vertical lifting



FEATURES:

- 40" Between Runways
- Versatile 198" Wheelbase Range
- Intuitive Console Controls
- Folding Ramps With Rear Chocks
- 40" Between Platforms for More Access
- Recessed / Surface Mount Options
- Alignment Model Available

MODEL

Lift Colors are Blue and Red
Power Unit Consoles are Gray

X14 SCISSOR LIFT

SURFACE MOUNT	X14N0010
Lift Capacity	14,000 lbs.
Rise*	72 3/4"
Width Overall	91"
Length Overall	277"
Runway Length	216"
Maximum Wheelbase	198"
Lowered Height	10 3/4"
Runway Width	25 1/2"
Minimum Bay Size	14' x 27'
Motor / Voltage	5 HP / 230V
Time of Full Rise	77 seconds

*Rise measures floor to top of runway at full stroke.
Surface mounted measurement.

SM18

HEAVY DUTY FOUR POST

18,000 lbs. Capacity General Service Lift



FEATURES:

- Two Runway Lengths
- Single Point Air Lock Release
- Dual Function Sentinel Lock™ System
- 3-Phase Power Available
- Folding Ramps With Rear Chocks
- Air / Filter / Lubricator
- Optional Internal Airline Kit
- Alignment Conversion Kits Available
- Converts to a Drive-Thru Lift

MODEL

Lift Colors are Blue and Red

SM18 4 POST LIFT

STANDARD EXTENDED	SM18N000 SM18N001
Lift Capacity	18,000 lbs.
Rise*	68"
Width Overall	11' 5 3/4"
Length Overall	22' 11 2/16" 25' 11 2/16"
Max. Wheelbase	194" / 230"
Drive Thru Width	10' 1/8"
Runway Width	22"
Min Bay Size	16' x 27' or 30'
Motor / Voltage	2 HP / 208 - 230V
Time of Full Rise	65 seconds

*Rise measures floor to top of runway at full stroke.

RFL25

HEAVY DUTY FOUR POST

Drive-On Forklift Service Lift
25,000 lbs. Capacity



FEATURES:

- Single Point Air Lock Release
- Dual Locking System
- 3-Phase Power Available
- Folding Ramps With Rear Chocks
- Air / Filter / Lubricator
- Optional Internal Airline Kit

MODEL **RFL25**
Lift Colors are Blue and Red **4 POST LIFT**

STANDARD	RFL2500
Lift Capacity	25,000 lbs.
Rise*	68 3/4"
Width Overall	12' 4 13/16"
Length Overall	22' 5"
Max. Wheelbase	163"
Drive Thru Width	11'
Runway Width	24"
Min Bay Size	16' x 26'
Motor / Voltage	4 HP / 208 - 230V
Time of Full Rise	95 seconds

*Rise measures floor to top of runway at full stroke.

SM30

HEAVY DUTY FOUR POST

30,000 lbs. Capacity
General Service Lift



FEATURES:

- Three Runway Lengths
- Single Point Air Lock Release
- Dual Locking System
- 3-Phase Power Available
- Folding Ramps With Rear Chocks
- Air / Filter / Lubricator
- Internal Airline Kit
- Alignment Conversion Kits Available
- Converts to a Drive-Thru Lift

MODEL **SM30**
Lift Colors are Blue and Red **4 POST LIFT**

STANDARD LONG EXTENDED	SM30N010 SM30N011 SM30N012
Lift Capacity	30,000 lbs.
Rise*	68"
Width Overall	12' 6 1/16"
Length Overall - Standard Length Ramps	25' 9 1/2" 28' 9 1/2" 31' 9 1/2"
Max. Wheelbase	235" / 271" / 307"
Drive Thru Width	129"
Runway Width	24"
Min Bay Size	16' x 30', 33' or 36'
Motor / Voltage	4 HP / 208 - 230V
Time of Full Rise	98 seconds

*Rise measures floor to top of runway at full stroke.



SHOWN:
SM30N010BL



RUNWAY LIFT ACCESSORIES

We make the lifts. Accessories make the lifts yours.

Maximum performance with minimum downtime. It's what we strive to provide in everything we design and manufacture. That includes our genuine parts and accessories. **Consult factory for proper lift applications.**

Add productivity to any general service lift!

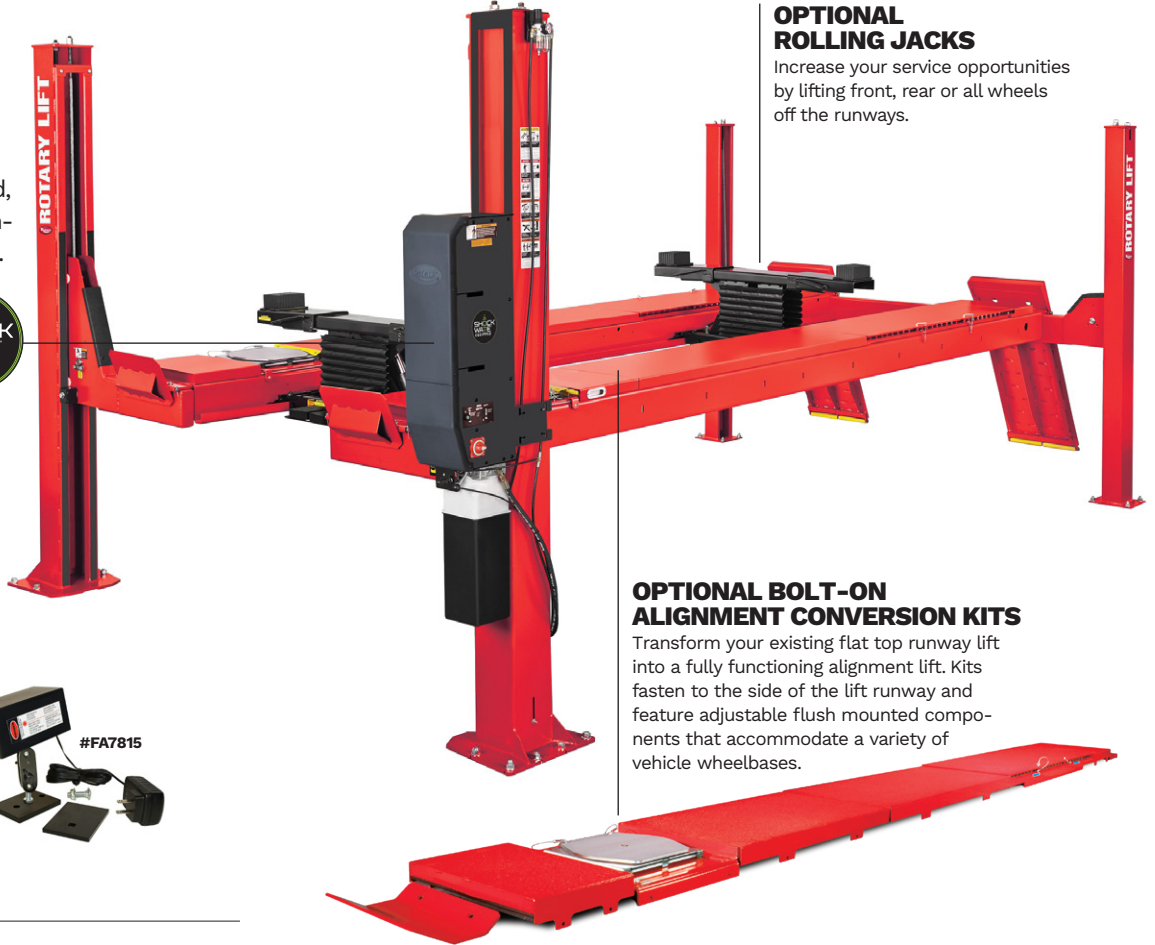
You want your shop to be as efficient, productive and profitable as possible.

Supercharge SM14 Series lifts with exclusive SHOCKWAVE™ power

SHOCKWAVE™ equipped lifts are the fastest lifts in the world, accelerating productivity and increasing service orders per bay. Designed specifically for bays where service speed is essential.



WATCH AND LEARN ABOUT SHOCKWAVE



OPTIONAL ROLLING JACKS

Increase your service opportunities by lifting front, rear or all wheels off the runways.

OPTIONAL BOLT-ON ALIGNMENT CONVERSION KITS

Transform your existing flat top runway lift into a fully functioning alignment lift. Kits fasten to the side of the lift runway and feature adjustable flush mounted components that accommodate a variety of vehicle wheelbases.

SPOTLINE™ LASER KIT

Motion activated laser helps center vehicles in bays quickly and accurately. Laser guided system comes complete with motion sensor and mounting hardware.



STANDARD on SHOCKWAVE-equipped SM14 SERIES Lifts

AIR OPERATED TIRE LIFTS

Includes air hose and air tool connection and pressure regulator to prevent overloading

200 lbs. and 500 lbs. capacities



#MW-200

#MW-500

RAMP KITS

- Oil resistant, non-skid coating
- Includes two ramps and hardware
- Extended length ramps for low clearance vehicles available

S100151	Two 40 1/2" Ramps for SM/SMO14-100 Series
S100152Y	Two 49 7/16" Ramps for SM/SMO14 Series
SRS1600/RWG	Two 70" Ramps for XA14 Lift
S100013	Two Extended Ramps for SM18
FC5825BK	Two DRIVE THRU Ramps for SM18
FC5780-3	One Standard Length Ramp for SM30 Lifts
FC5781-7	One Extended Length Ramp for SM30 Lifts

SM14 / SMO14(S/L/EL) ALIGNMENT KITS

Bolt-On Alignment Kit	Maximum Wheel Base Range
S100130M	182" (4623mm)
S100131M	215" (5461mm)

Kit includes stainless steel radius gauges, slip plates and ramp modifications, with necessary mounting hardware. Rolling jacks sold separately.

Bolt-On Alignment Kit – no Radius Gauges	Maximum Wheel Base Range
S100136M	182" (4623mm)
S100137M	215" (5461mm)
S100171 Includes additional airline kit and one (1) rolling jack	182" (4623mm)

Kit includes stainless steel slip plates and ramp modifications, with necessary mounting hardware. Rolling jacks sold separately.

RADIUS GAUGE KITS

Bolt-on stainless steel radius gauge for performing two-wheel alignments. Turntable capacities up to 15,000 lbs.

Consult factory for additional alignment kit accessories and packages.

SM18 / SM18EL2 ALIGNMENT KITS

Bolt-On Alignment Kit	Maximum Wheel Base Range
S100182 / Post 10-2017	194" (4929mm)
S100181 / Post 10-2017	230" (5842mm)

Kit includes stainless steel radius gauges, slip plates and ramp modifications, with necessary mounting hardware. Rolling jacks sold separately.

SM30 SERIES ALIGNMENT PACKAGE

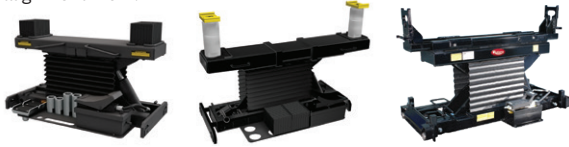
Bolt-On Alignment Kit	Maximum Wheel Base Range
FC7125 with rollback	274" (6960mm)

Includes two (2) carbon steel radius gauges, one (1) work step and recoil hose. Rolling jacks sold separately.



ROLLING JACKS

Increase your service opportunities by lifting front, rear or all wheels off the runways for brake, tire, suspension and two or four-wheel alignment work.



From 6,000 lbs. to 15,000 lbs. capacities. Contact factory for complete details, options, and service lift applications.

6,000 lbs. / 7,000 lbs. CAPACITIES*

RJ6100Y-1 6,000 lb. capacity for SM14 lifts
 RJ7100-X 7,000 lb. capacity for X14/XA14 lifts
 RJ7100Y 7,000 lb. capacity for SM14/18 lifts

Each model includes rubber adapter blocks, frame adapters and extensions

FC663BK ROLLING JACK TRAY FOR SM/SMO14 lifts
 FC613BK ROLLING JACK TRAY FOR SM30 lifts

9,000 lbs. CAPACITIES*

RJ9100Y for SM18 lifts
 RJ9100Y-1 for SM18 lifts
 RJ9100Y-2 for SM30 lifts

Each model includes rubber adapter blocks, frame adapters and extensions

*NOTE: Each jack model has different telescoping ends. Contact factory for complete details.

15,000 lbs. CAPACITIES

RJ150 for SM30 lifts
 RJ152 for SM30 lifts

INTERNAL AIRLINE KITS

Standard Internal airline connections let two rolling jacks operate simultaneously, and provides air outlet on the runway.



FC5760-14 18,000 capacity lifts and below
 FC7138 For X14 lifts / Retrofit

LOCK LIGHT™

Provides an instant green light visual confirmation when lift is lowered to its locks. Compatible with high-pressure lifts that use an electric/hydraulic power unit providing an unused pressure port is available. Patent-pending.

Kit includes:

- Indicator light assembly
- Pressure switch
- Mounting bracket
- 10' of electrical wire



FA834-KIT 110V
 FA835-KIT 220V



TECH LIGHT™ RUNWAY LIGHTING LINE LIGHT 4 LED Lighting Kit



Effective runway lighting system, attach the four 54" light wands to runways for efficient lighting where you need it.



FA5700
 Includes 60W power supply unit, 16' cable lengths and 8 magnetic suspensions

- 120V AC input voltage
- 60hz

PORTABLE PRODUCTIVITY JACKS

Junior-Jack2 / 4,400 lbs. capacity
 High rise jack assembly for removal and transportation of fuel tanks, transmissions, transfer cases and other items. Floor style jack.

- Air assist and foot pedal adjustment
- Swivel caster wheels
- Patented corrosion protection



Shown with optional GA Car table



GA4 Accessory Table

4,400 lb. capacity / flat style
 12 degree tilt / 20-7/8" X 15" X 4-3/4" platform

- Large rubber supports with two straps

3134101 Adapter for GA4

AIR / UTILITY BOX

Mounts easily on any column and provides quick access to utilities

- Two 110v electric outlets and air connection
- The filter/regulator/lubricator helps extend the life of your air tools



FA915 Air/Electric Utility Box

Includes Filter/Regulator/Lubricator

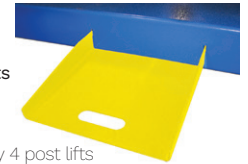
FA2259BK Air/Electric Utility Box for SM18, SM30

Includes Filter/Regulator/Lubricator

FA2260BK Air/Electric Utility Box

REMOVEABLE WORK STEP

Optional accessory for the runway lifts with slots, this repositionable stand fits the outer sides of the four-post runway slots as shown.

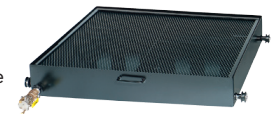


FC5378BK Kit of two steps for 14K capacity 4 post lifts

FC5663YL Kit of two steps for 18K and 30K capacity 4 post lifts

OIL DRAIN PANS

Available for most lifts, drain pan includes splash guard, drain valve and dust cap.



FC5967BK Drain pan, 30 Gallon, SM/SMO14, SM18 Lifts

FC5968BK Drain pan, 30 Gallon rolling, SM30 Lifts

FC5247 Hose, 8 ft oil drain with QD fitting

TECH LIGHT™ LINE LIGHT R

Rechargeable LED inspection hand lamp with top spot light. Supplied with flexible suspension clips holder with both hook and magnet for positioning the light where you need it.

- 180 lumen in main light operates for up to 3 hours
- 120 lumen in spot light operates for up to 6 hours
- 4 hour charging time



FA5702



TIRE CHANGERS

ALIGNMENT SYSTEMS

WHEEL BALANCERS

The name you've come to trust for lifting vehicles worldwide also offers the best wheel service equipment for your shop.

Rotary's line of wheel service equipment offers cutting-edge technology, productivity and safety features that every shop is looking for.

Providing the best service is about more than just know-how. It's about having the right equipment for the job. The go-to choice for shops of all sizes, Rotary's line of premium equipment is manufactured to the highest standards of quality and durability to help you perform the job right the first time, every time. All Rotary wheel service equipment carries an industry-leading 3 year warranty

Offer your customers top quality tire and wheel service by putting Rotary to work for you.



www.rotarywheelservice.com

Rotary Lift

2700 Lanier Drive / Madison, IN 47250, USA

rotarylif.com     

Sales:
1.812.273.1622 / 800.445.5438
insidesales@vsgdover.com

Government Sales:
governmentorders@vsgdover.com



Tech. Support:
800.445.5438
technicalsupport@rotarylif.com

Lit# Rotary Drive On Lifts Brochure.2024.07

©2024 VEHICLE SERVICE GROUPSM, Printed in U.S.A., All Rights Reserved. Unless otherwise indicated, ROTARY LIFT, VEHICLE SERVICE GROUPSM, DOVER and all other trademarks are property of Dover Corporation and its affiliates.

Manufactured using the following patents:

Sentinel Lock™ System (U.S. Patent No. 6,446,757)

Bolt-On Alignment Kit Spacer Plate with enclosed pockets: (U.S. Patent No. D740742)

Intuitive Control Console / Wireless Column Communication (U.S. Patent No. 6983196 / U.S. Patent No. 8083034)

Product specifications, part numbers, images and component descriptions are subject to change without notice or liability.