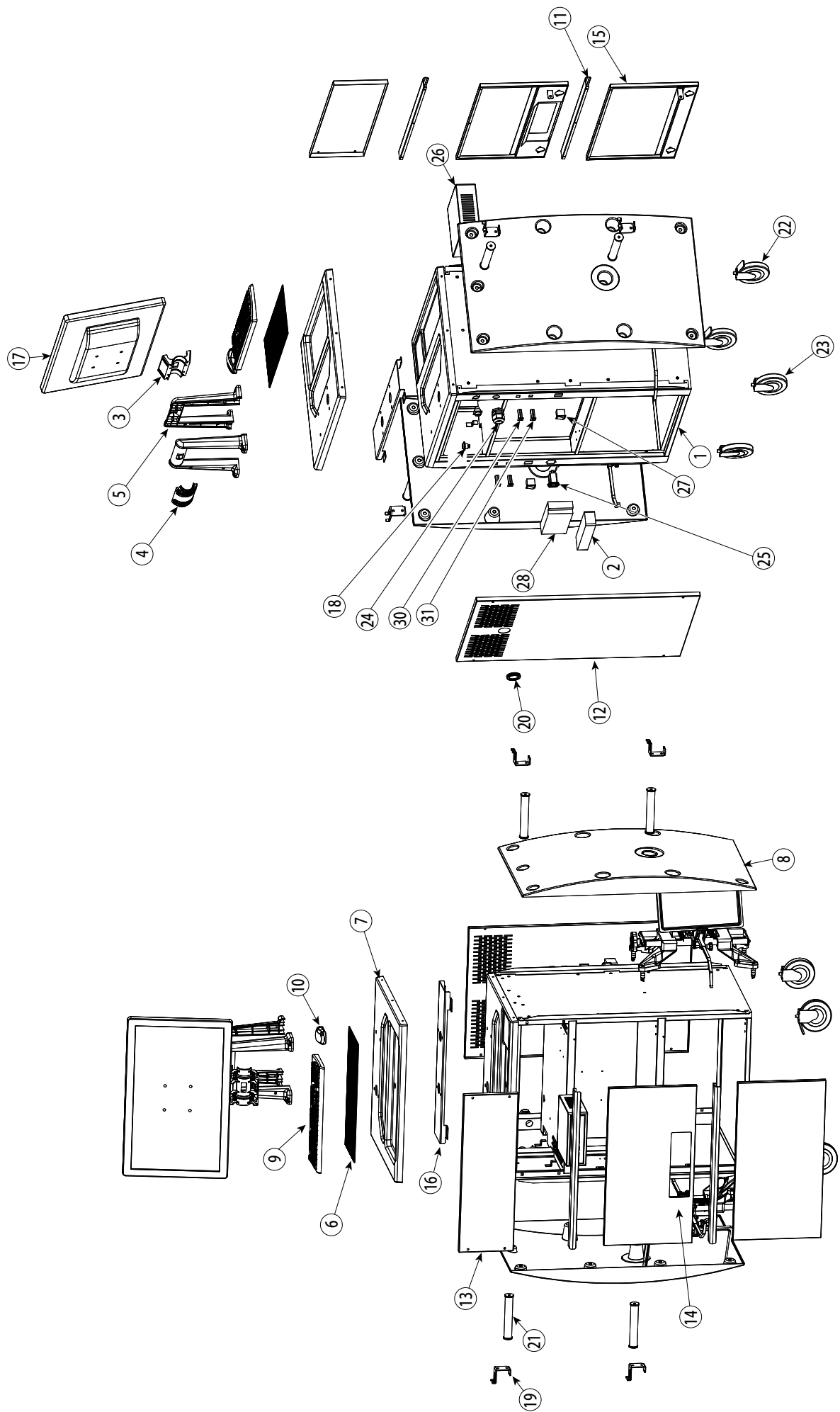




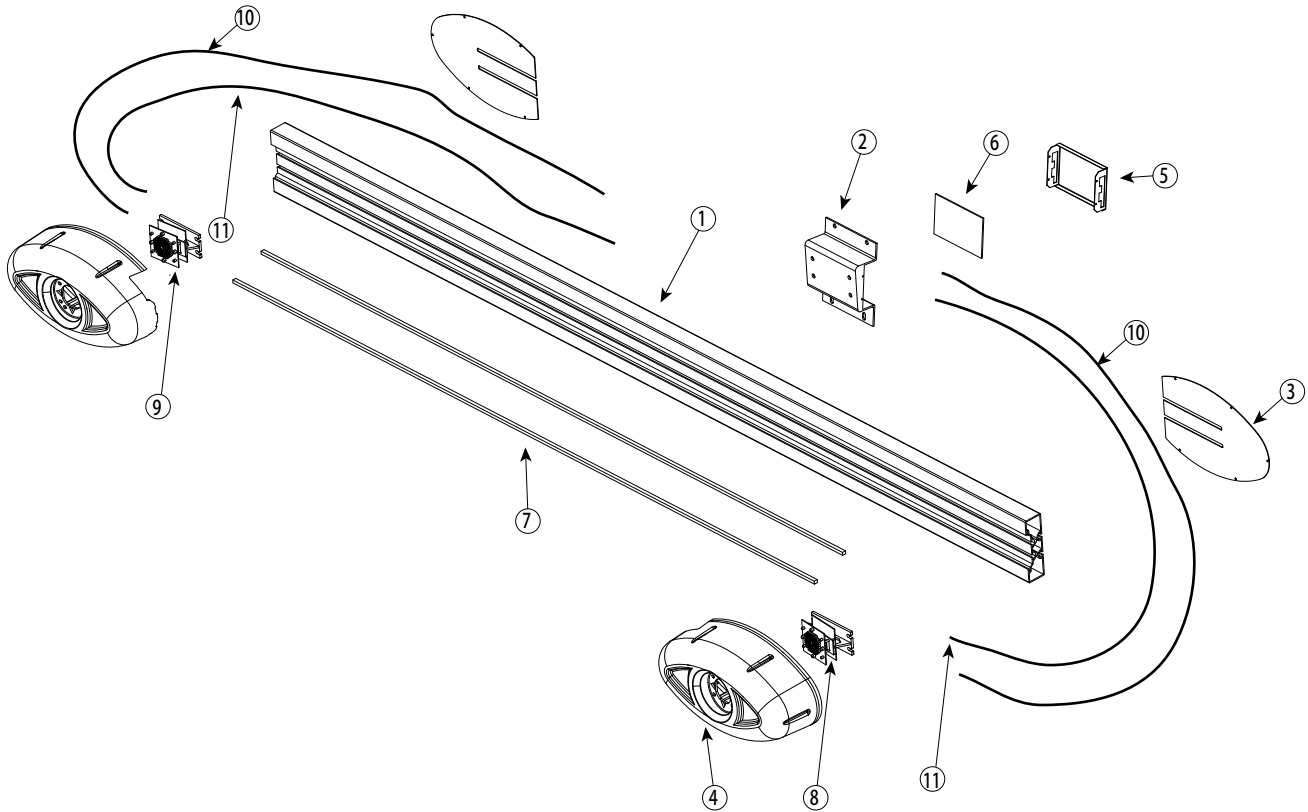
R1075 PARTS BREAKDOWN



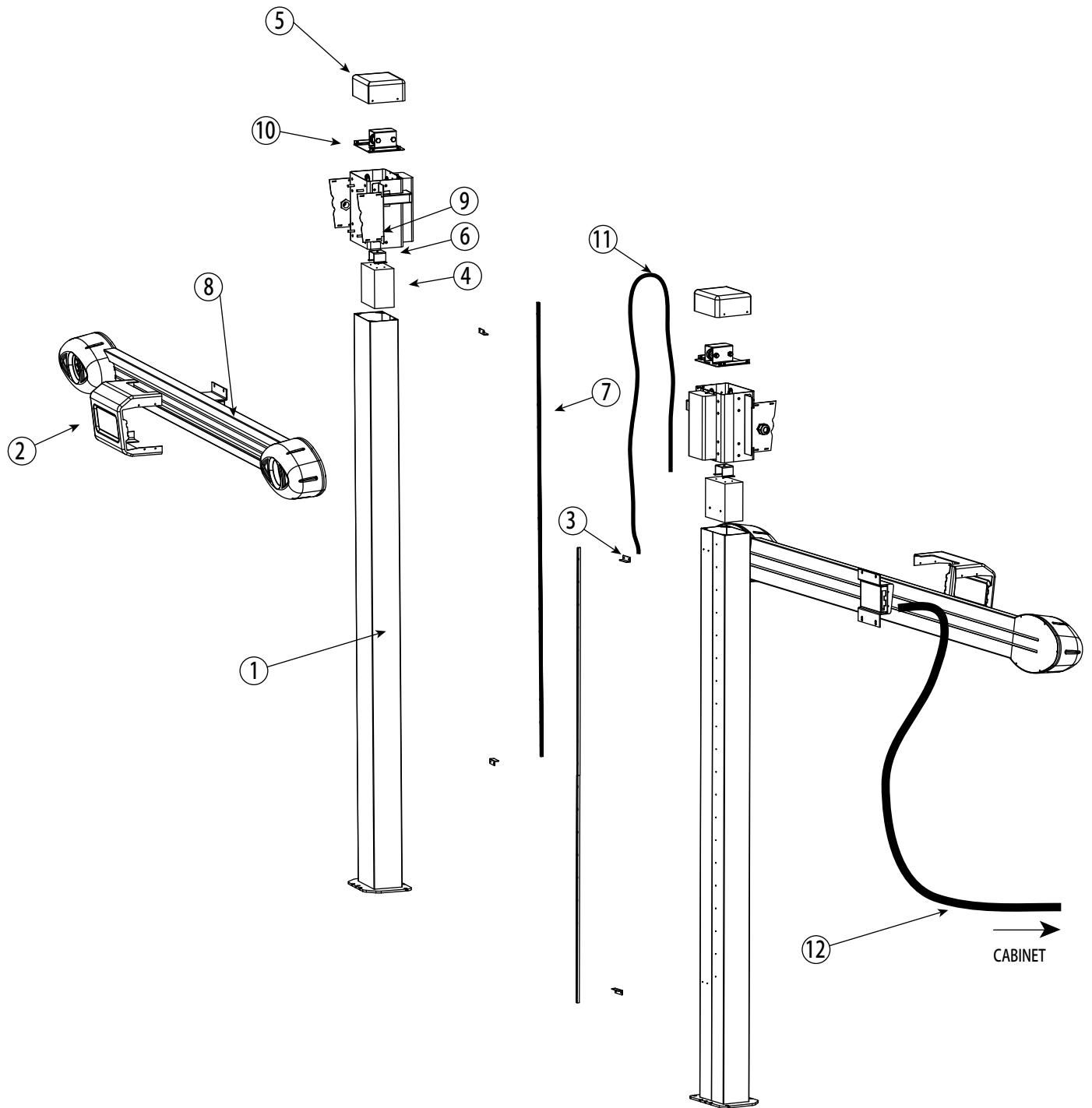


ITEM	QTY	PART NO.	DESCRIPTION
1	1	1075-100	CABINET
2*	1	8001-4(DQ-SOCKET-1)	SOCKET
3	1	17290	DISPLAY HOLDER
4	1	17291	BACK SUPPORT
5	2	17796	DISPLAY SUPPORT
6	1	17908Y	PAD
7	1	17964Y	TOP COVER
8	2	18987Y	SIDE COVER
9	1	10197Y	KEYBOARD
10	1	10198Y	MOUSE
11	2	15493Y	HANDLE
12	1	17789Y	BACKBOARD
13	1	17790Y	UPPER PANEL
14	1	17791Y	UPPER DOOR
15	1	17792Y	LOWER DOOR
16	1	17945Y	TOP BRACING
17	1	(1964827Y) 272S1AE	27" DIAPLAY
18	1	19M-5E	PLUG
19	4	20201990Y	HOOK
20	1	202021902Y	SPOUT PLUG
21	4	202022010Y	SUPPORT ROD
22	2	R1075-8002	UNIVERSAL WHEEL WITH BRAKE
23	2	R1075-8003	UNIVERSAL WHEEL WITHOUT BRAKE
24	1	AG32-DB	CABLE GLAND AG32-DB
25	1	CW2A-10A-T01	POWER SUPPLY PLUG
26	1	ECC-T51 -R1075	PC
27	2	R-210-C5N-BB	SWITCH
28	1	RD-125A	TRANSFORMER
29	1	RJ45	INTERNET PLUG
30*	1 (3)	W28-XQ1A-5	5A FUSE
31*	(1) 3	W28-XQ1A-10	10A FUSE

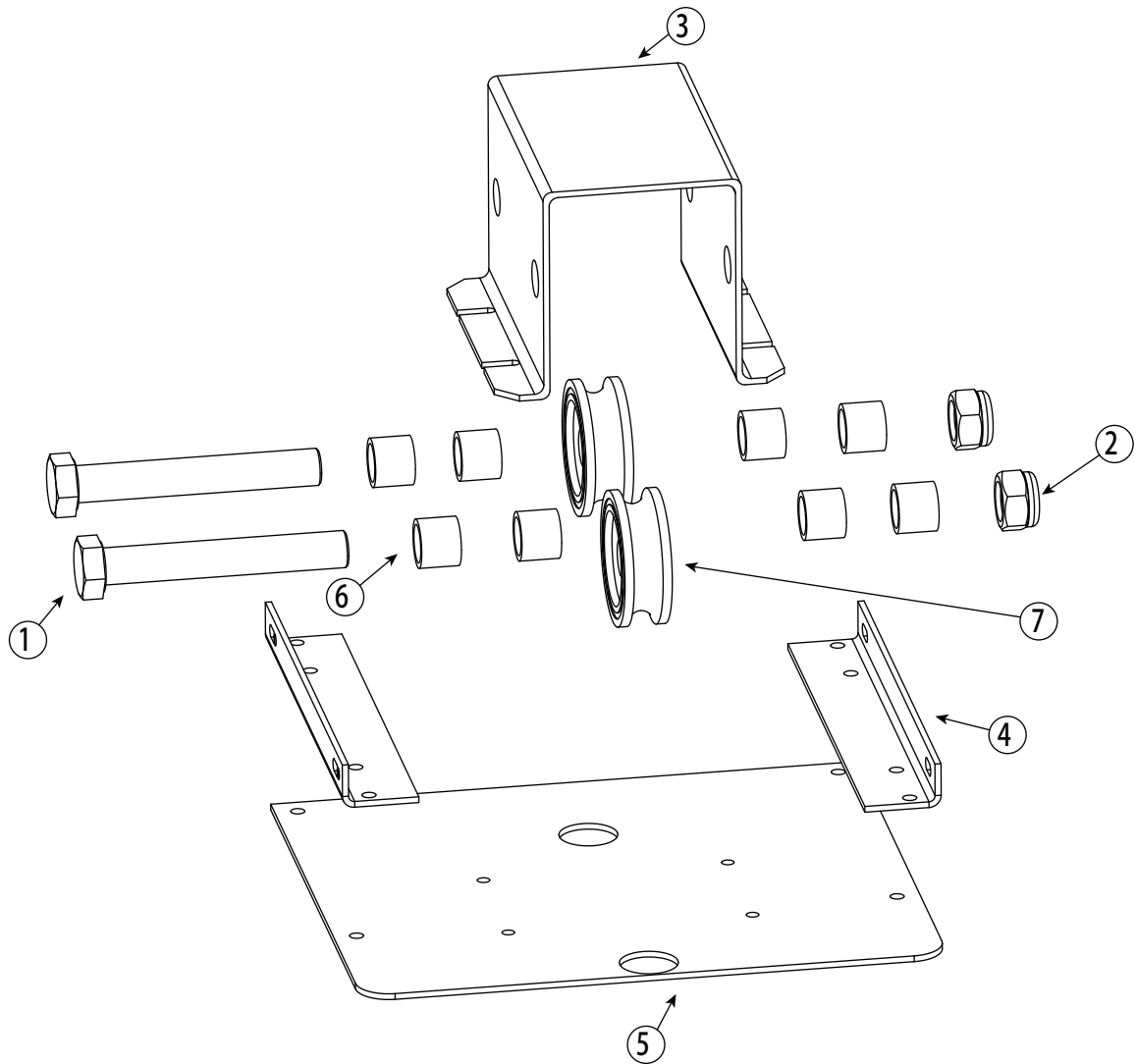
*ITEMS/QUANTITIES IN PARENTHESIS ARE FOR 220V EUROPEAN/ASIAN MODEL



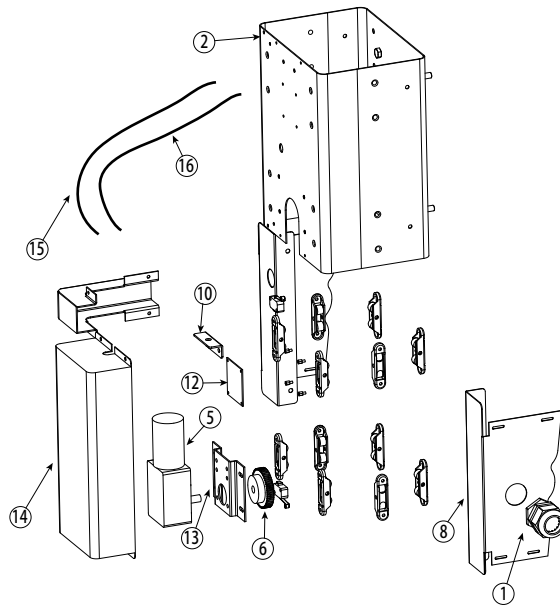
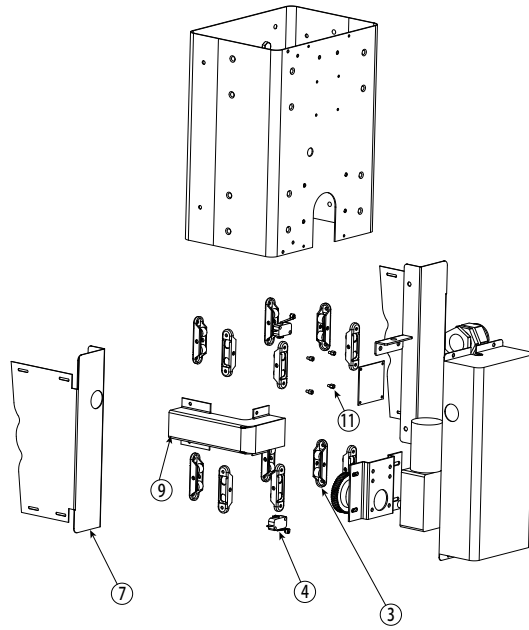
ITEM	QTY	PART NO.	DESCRIPTION
1	1	R1075-0201	ALUMINUM BEAM
2	1	R1075-0202	BEAM SUPPORT
3	2	R1075-0203	CAMERA COVER RETAINING PLATE
4	2	R1075-1001	CAMERA COVER
5	1	R1075-0205	HUB BASEBOARD
6	1	R1075-0206	HUB
7	2	R1075-0207	DECORATIVE STRIP
8	1	R1075-0208-R	CAMERA-RIGHT
9	1	R1075-0208-L	CAMERA-LEFT
10	2	R1075-0209	USB CABLE
11	2	R1075-0210	POWER SUPPLY CABLE



ITEM	QTY	PART NO.	DESCRIPTION
1	1	R1075-0101	COLUMN
2	1	R1075-1002	FRONT COVER
3	2	R1075-0104	STOP PLATE
4	1	R1075-0106	BALANCE WEIGHT
5	1	R1075-1003	TOP COVER
6	1	R1075-0109	WIRE ROPE RETAINING PLATE
7	2	R1075-0113	SPLINE
8	1	R1075-0200	BEAM
9	1	R1075-0300	SLIDING MODULE
10	1	R1075-0400	TOP MODULE
11	1	R1075-0114	STEEL CABLE
12	1	R1075-0115	CONTROL CABLE



ITEM	QTY	PART NO.	DESCRIPTION
1	2	B11-12X80	HEXAGON HEAD BOLT
2	2	B33-12	M12 HEX NYLON INSERT LOCKNUT
3	1	R1075-0401	ROLLER BRACKETS
4	2	R1075-4002	COVER MOUNTING PLATE
5	1	R1075-4003	CARRIER PLATE
6	8	R1075-4004	SPACER BUSH
7	2	R1075-4005	PULLEY



ITEM	QTY	PART NO.	DESCRIPTION
1	1	AG32-DB	CABLE GLAND AG32-DB
2	1	R1075-0301	SLIDING BLOCK
3	12	R1075-0302	PULLY
4	2	R1075-0304	LIMIT SWITCH
5	1	R1075-0308	MOTOR
6	1	R1075-0309	GEAR
7	1	R1075-0310	COVER RETAINING PLATE (LEFT)
8	1	R1075-0311	COVER RETAINING PLATE (RIGHT)
9	1	R1075-0312	WIRE COVER
10	1	R1075-0313	WIRE ROPE SEAT
11	4	R1075-0314	CIRCUIT BOARD SUPPORT SCREW
12	1	R1075-0315	CIRCUIT BOARD
13	1	R1075-0317	MOTOR HOLDER
14	1	R1075-0318	REAR COVER
15	1	R1075-0319	USB CABLE
16	1	R1075-0320	MOTOR POWER CABLE

Trained Operators and Regular Maintenance Ensures Satisfactory Performance of Your Rotary Shop Equipment.

Replacement Parts: See installers package for parts breakdown sheet. Order Genuine Rotary replacement parts from your nearest Authorized Parts Distributor.

Maintenance Assistance: Contact your local Rotary distributor.

Should further assistance be required, contact Rotary, at one of the phone numbers listed below.



Rotary World Headquarters
3005 Highland Parkway, Suite 200
Downers Grove, Illinois 60515, USA
www.vsgdover.com
800.640.5438

North / South America Contact Information

Sales:

1.812.273.1622 / 800.445.5438
insidesales@vsgdover.com

Tech. Support:

800.445.5438
technicalsupport@rotarylif.com

Government Sales:

800.445.5438 X5655
rotarylif.com/Government-Purchasing-Assistance/

Additional information at rotarylif.com

Global Contact Information

Australasia: +60.3.5192.5910
Brazil: +55.11.4534.1995
Canada: 1.905.812.9920
European Headquarters/Germany: +49.771.9233.0
Latin America/Caribbean: 1.812.273.1622
Middle East/Northern Africa: +49.771.9233.0
Southern Africa: 1.812.273.1622
United Kingdom: +44.178.747.7711

